

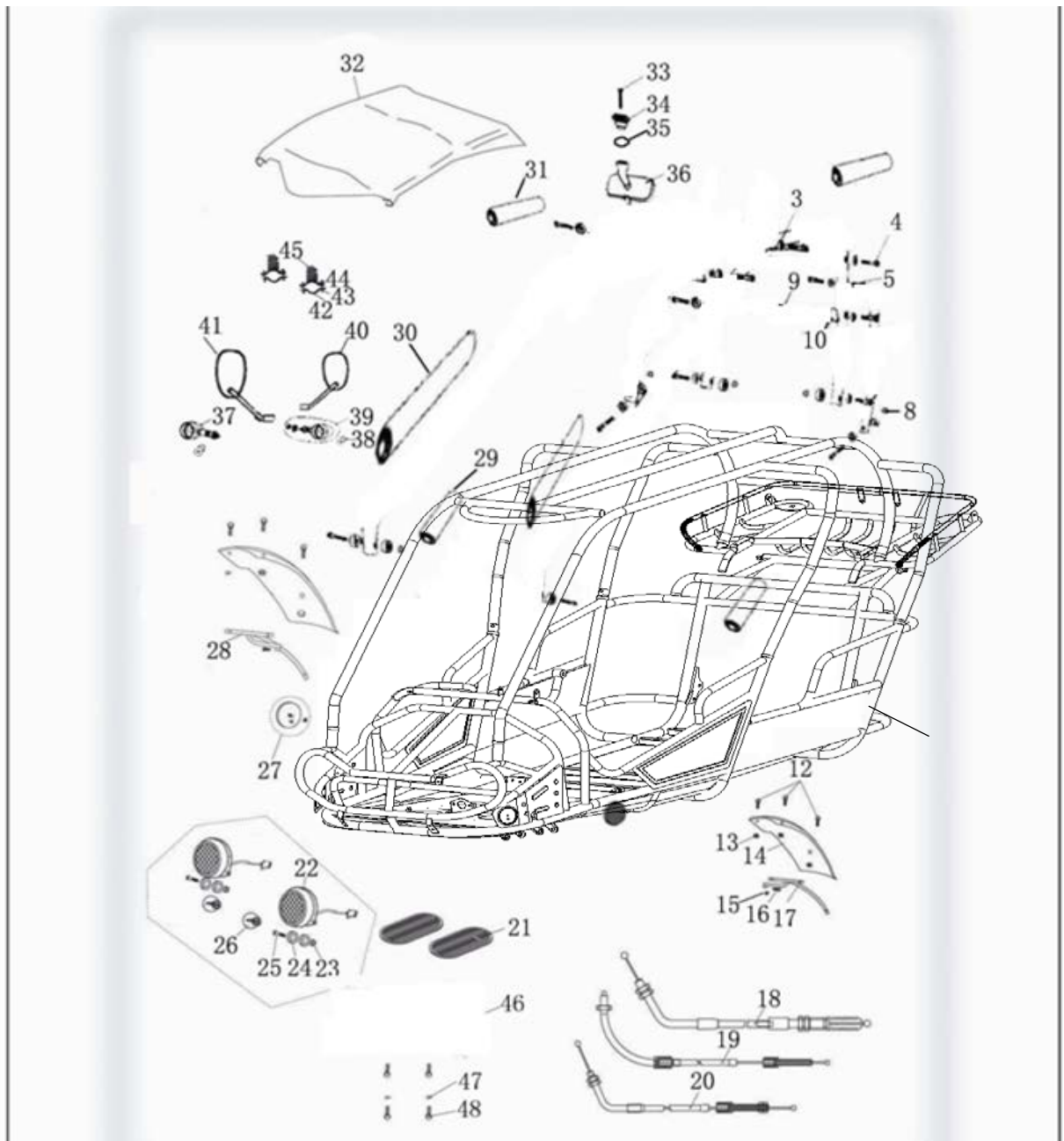


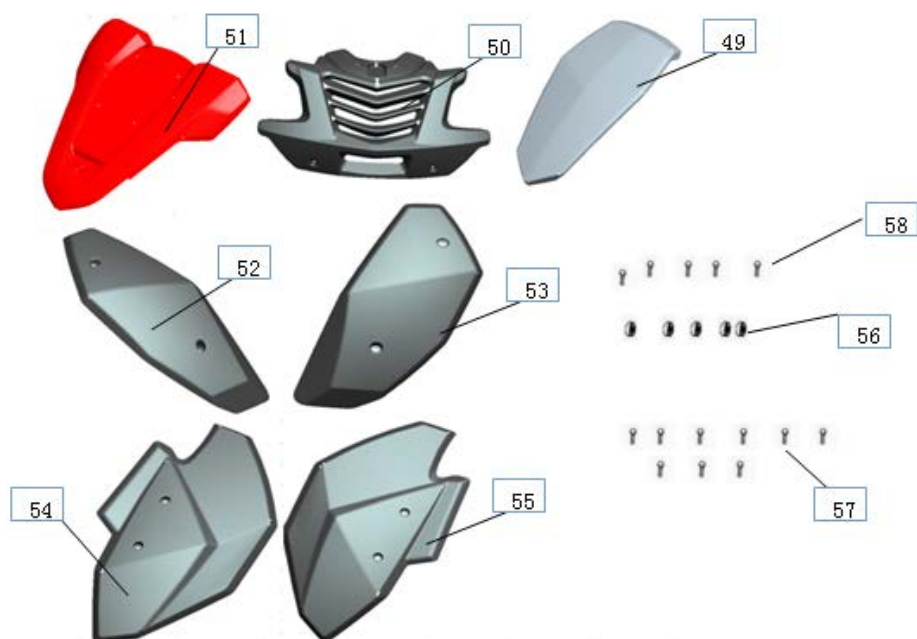
**TRAILMASTER  
BLAZER4 150X PARTS MANUAL  
(ENGINE/TRANSMISSION NOT INCLUDED)**

VERSION:1.0

06/03/2018

# FRAME GROUP





NO.	CODE	DESCRIPTION	QTY.	
1	8070055150GH00	LONG BAR	2	
2	6010063150GH00	TOP CAGE	1	
3	8010047250G000	R-WASHER	28	
4	57870805512505	BOLT 5787 M8X55	18	
5	7010016250G000	TUBE SEAT $\varnothing$ 32	4	
6	8070056150GH00	SIDE BAR	2	
7	8070069150GH01	SIDE BAR	1	
	8070069150GH02	SIDE BAR	1	
8	61870800012505	NUT 6187 M8	14	
9	8080036150GH00	CROSS BAR	1	
10	7010017250G000	TUBE SEAT $\varnothing$ 25	6	
11	8070066150GHB2	FRAME	1	
12	57890601610005	BOLT 5789 M6X16	6	
13	61770600010005	NUT 6177 M6	6	
15	93000600000005	SPRING WASHER $\varnothing$ 6	4	
16	57890601410005	BOLT 5789 M6X14	4	
17	6100067150GH0	FRONT LEFT FENDER BRACKET	1	
18	6000232150G002	THROTTLE CABLE	1	
19	6013000150G001	REVERSE CABLE	2	
20	6001000150G000	PARKING BRAKE CABLE	1	
21	7020012250G000	RUBBER FOOT PLATE	2	
22	6000104150G001	HEADLIGHT UNIT LED	2	
23	61770800012505	NUT 6177 M8	2	
25	57890805012505	BOLT 5789 M8X50	2	
27	6000114250G000	FRONT REFLECTOR	2	

28	6100102150GH00	FRONT RIGHT FENDER BRACKET	1	
29	6000198150G000	FORM PADDING 1	4	
30	6000197150G000	FORM PADDING 2	2	
31	6000199150G000	FORM PADDING TOP	4	
32	6000321150G000	CANOPY TOP	1	
37	6000156250G000	TURN LIGHT (FR)	1	
38	9090006150G000	TRUN LIGHT BULB 10W/12V	1	
39	6000155250G000	TURN LIGHT (FL)	1	
40	8005000250G000L	REAR VIEW MIRROR (L)	1	
41	8005000250G000R	REAR VIEW MIRROR (R)	1	
47	57890801212505	BOLT 5789 M8X12	4	
48	97000800000005	GB97 WASHER $\phi$ 8	4	
49	6502000080G000	PLASTIC BODY 1	1	
50	6503000150G000	PLASTIC BUMPER 150	1	
51	6501000150G000	PLASTIC BODY 2 150	1	
52	7010034150G000	FRONT LEFT FENDER	1	
53	7010034150G001	FRONT RIGHT FENDER	1	
54	7010064150G001	REAR LEFT FENDER	1	
55	7010064150G002	REAR RIGHT FENDER	1	
56	94000000600005	NUT 94 M6	5	
57	57890601410005	BOLT 5789 M6X14	9	
58	2823420140005	SCREW 2823 ST4.2X14	5	
59	96000600000005	GB97 WASHER $\phi$ 6	3	NS



19	4000014250G000	STERRING GEAR	1	4.000.030-250
20	9900016250G000	NUT 99 M16X1.5	2	
21	4000008250G000	STEERING BALL JOINT	2	
22	61701000012505	NUT 6170 M10X1.25	2	
23	7020002250G000	BALL JOINT DUST COVER L	1	
24	8010157250G000	TIE TOD	2	
25	6000062250G000	ROD END	2	
26	97001000000002	WASHER 97 φ10	2	
27	93001000000002	SPRING WASHER 93 φ10	2	
28	94571000012505	CASTLE NUT M10X1.25	2	
29	GB912502500002	COTTER PIN φ2.5X25	2	
30	8020014250G000	STEERING GEAR BRACKET	2	
31	8020104250G000	PEDAL PAD PLATEN	2	
32	9708145250G001	THROTTLE PEDAL BOLT	1	
33	8040001250G000	THROTTLE RETURN SPRING R	1	
34	57870804512505	BOLT 5787 M8X45	2	
35	61700800012505	NUT 6170 M8	2	
36	4000016250G000	THROTTLE PEDAL ASSY.	1	
37	7020036250G000	THROTTLE PADEL PAD	1	
38	81800501610005	SCREW 818 M5X16	2	
39	97000500000005	WASHER 97 ø5	2	
40	61700500010005	NUT 6170 M5	2	
41	7020037250G000	BRAKE PADEL PAD	1	
42	4000015150G000	BRAKE PADEL ASSY.	1	
43	8070044250G000	MASTER CYLINDER BRACKET	1	
44	7010004250G000	PEDAL BUSHING	4	
45	8040007250G000	BRAKE PEDAL RETURN SPRING L	1	
46	9708222250G000	BRAKE PEDAL BOLT M8X222	1	
47	88200602800003	PIN 6X28	1	
48	8030024250G001	SPINDLE BRACKET	1	
49	GB912001600002	COTTER PIN φ2X16	1	
50	57890803512505	BOLT 5789 M8X35	2	
51	4011100150G0A0	STEERING WHEEL JOINT PIECE	1	

### SUSPENSION ARM ASSY

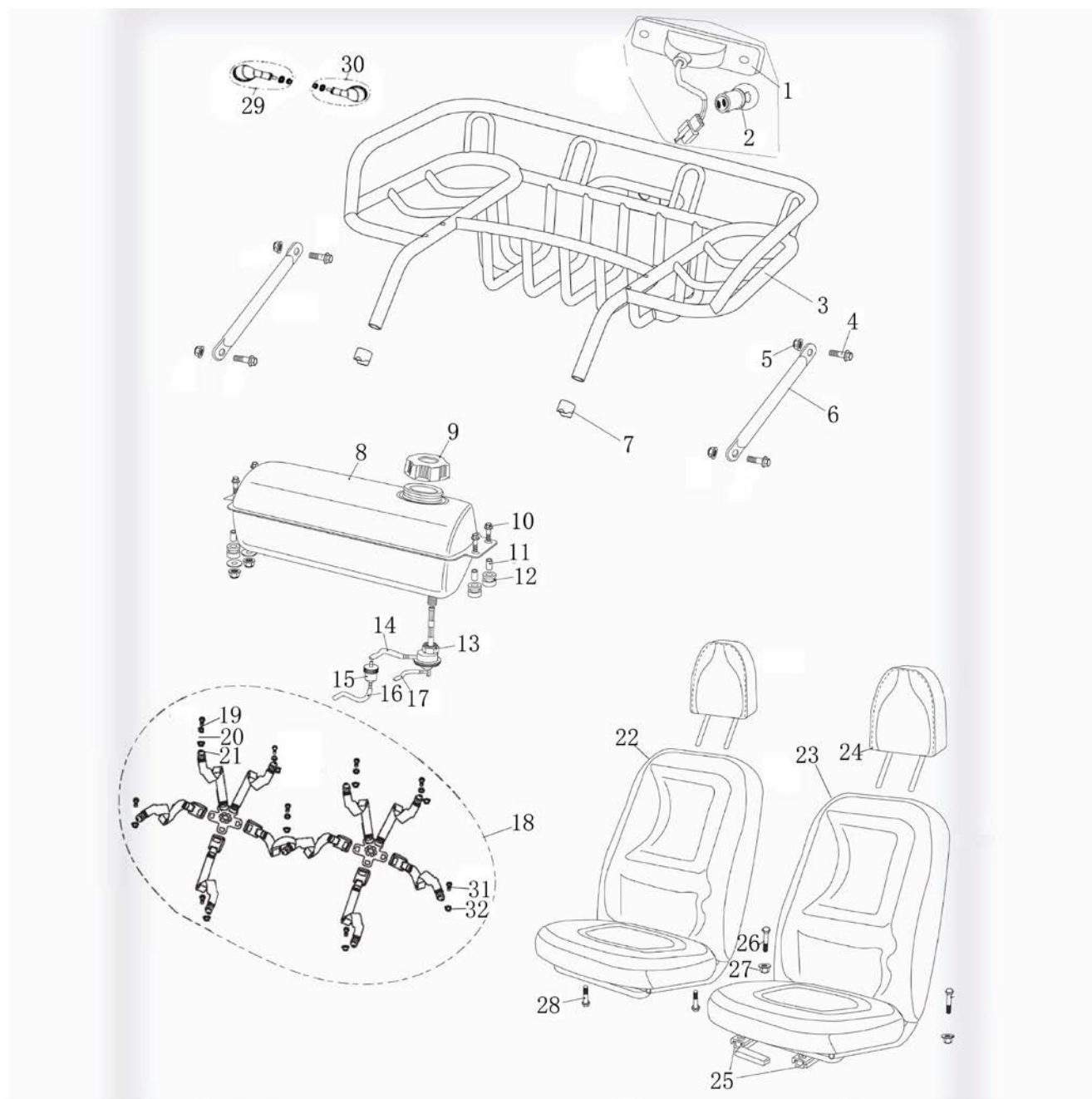


NO.	CODE	DESCRIPTION	QTY.	
1	2010028250GH00	STRUT & SPINDLE SUPPORT R	1	
2	57890810512505	BOLT 5789 M8X105	2	
3	8010015250G000	UPPER SUSPENSION ARM COLLAR	2	
4	7010003250G000	UPPER SUSPENSION ARM BUSHING	4	
5	400004250GH00	UPPER SUSPENSION ARM	2	
6	61870800012505	NUT 6187 M8	2	
7	94571200012505	CASTLE NUT M12	4	
8	7020025250G000	BALL HEAD DUST SEAL	4	

9	8020053250G000	BALL HEAD SPACER	4	
10	2010027250GH00	STRUT & SPINDLE SUPPORT L	1	
12	57891004012505	BOLT 5789 M10X40	2	
13	61871000012505	NUT 6187 M10	16	
14	6000325150G004	CUSHION ASSY. FR	2	
15	5400600400N000	LUBRICATING NIPPLE	6	
16	57891008012505	BOLT 5789 M10X80	4	
17	8020034250G100	LOWER SUSPENSION ARM DUST CAP	8	
18	8010014250G000	LOWER SUSPENSION ARM COLLAR	4	
19	7010002250G000	LOWER SUSPENSION ARM BUSHING	8	
20	9040001250G000	O-RING $\phi$ 21.2X2.65	8	
21	4000023250GH00	LOWER SUSPENSION ARM ASSY	2	
22	57891004012505	BOLT 5789 M10X40	2	
23	97001200000005	WASHER 97 $\phi$ 12	4	
24	GB912503000002	COTTER PIN $\phi$ 2.5X30	6	
25	57870801412505	BOLT 5789 M8X14	4	
26	57830601610005	BOLT 5783 M6X16	12	
27	8010054250G000	BRAKE DISC	2	
28	YF047002500700	OIL SEAL 47X25-7	2	
29	62042RS0000000	BEARING 6204-2RS	2	
30	9710031250G000	TIRE BOLT M10X1.25X31	8	
31	8010085250GH00	FRONT WHEEL HUB	2	
32	62022RS0000000	BEARING 6202-2RS	2	
33	7020050250G000	FRONT TIRE 20*7-8	2	7.020.033
34	6000142250G000	FRONT RIM (IRON)	2	
35	7190018250G000	TIRE NIPPLE	2	
36	6000097250G000	FRONT WHEEL ASSY. R	1	
37	6000140250G000	FRONT WHEEL ASSY. L	1	6000003250G000
38	61871000012505	NUT 6187 M10	16	
39	94571400015005	CASTLE NUT M14	2	
40	7020039250G000	FRONT HUB COVER	2	7.020.039
41	97001400000005	WASHER $\phi$ 14	2	
42	93000800000005	SPRING WASHER 93 $\phi$ 8	4	



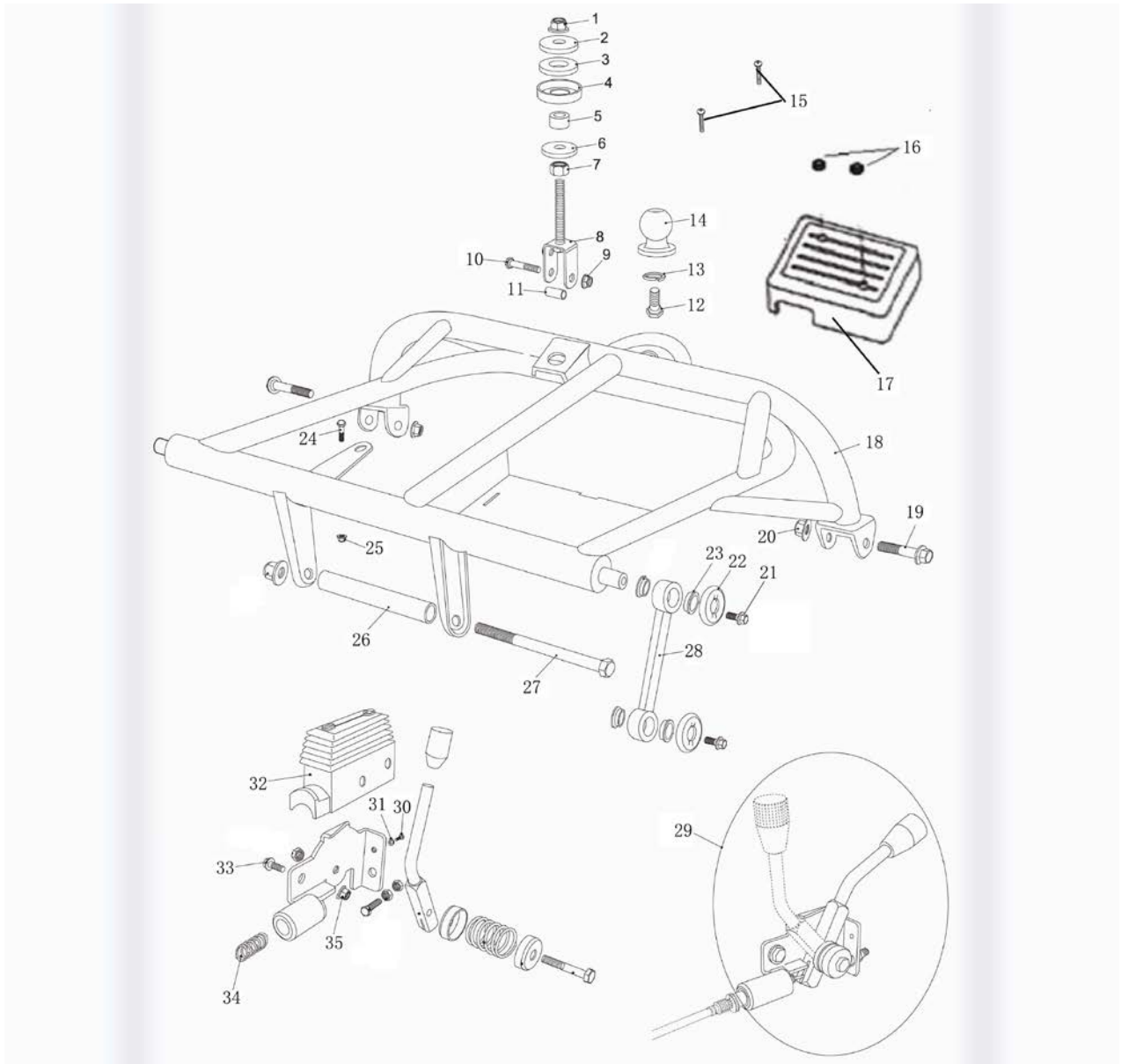
**REAR CARGO RACK/SEAT/BELT**



NO	CODE	DESCRIPTION	QTY.	
1	6000387150G000	TAIL LIGHT	1	
2	9090002250G000	TAIL LIGHT BULB	1	
3	2000061150GHA0	REAR CARGO RACK	1	
4	57870802012505	BOLT 5789 M8X20	4	
5	61870800012505	NUT 6187 M8	4	
6	8080051150GH00	RACK SUPPOT ARM	2	
7	7010017250G000	TUBE SEAT $\varnothing$ 25	2	
8	4000029250GH00	GAS TANK	1	
9	6000145080G000	GAS TANK GAP	1	
10	57870802512505	BOLT 5787 M8X25	4	

11	8010034250G000	TANK COLLAR	4	
12	7020005250G000	RUBBER MOUNT	4	
13	6000046150G000	AUTO FUEL COCK ASSY.	1	
14	7020021150G000	FUEL TUBE 1	1	
15	6000056250G000	FILTER	1	
16	7020022150G000	FUEL TUBE 2	1	
17	7020031150G000	VACUUM TUBE	1	
18	6000356150G000	SEAT BELT	2	
19	9700001250G000	SPECIAL BOLT M7/16"X28	5	
20	9700002250G000	WASHER $\phi$ 12	5	
21	9700003250G000	BELT NUT M7/A6	5	
22	6000331150G002	NEW SEAT	1	5100000150G001
26	37000804512503	T-SHAPE BOLT M8X45	4	
27	61770800012505	NUT 6177 M8	4	
28	57870804012505	BOLT 5787 M8X40	4	
29	3000006250G000	TURN LIGHT RR	1	
30	3000005250G000	TURN LIGHT RL	1	

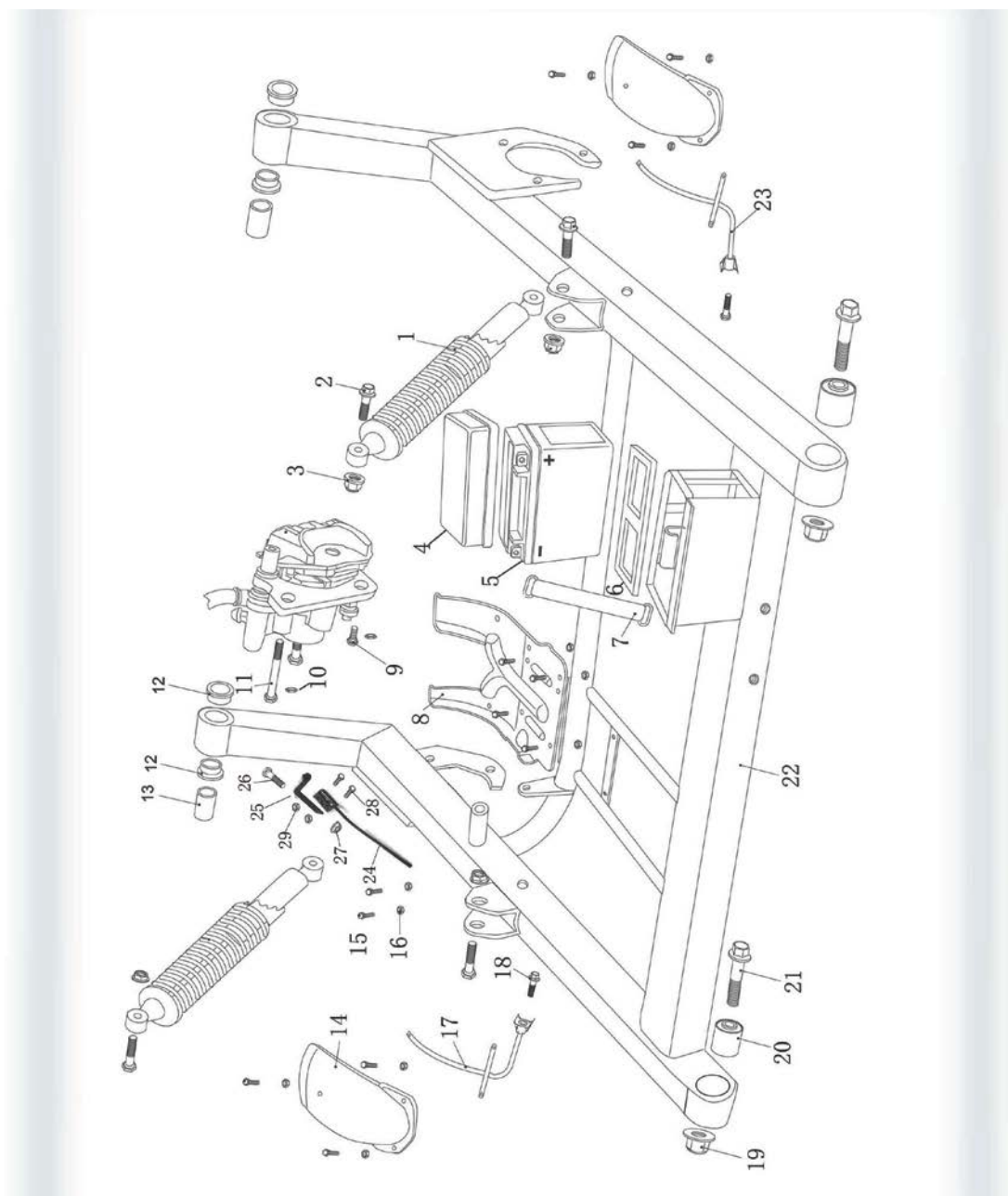
**REAR SWING ARM ASSY.UPPER**



NO	CODE	DESCRIPTION	QTY.
1	61871200012505	NUT 6187 M12	1
2	8010042250G100	ENGINE MOUNT LINK WASHER	1
3	7020001080G000	ENGINE MOUNT LINK CUSHION	1
4	8020045080G100	ENGINE MOUNT LINK SPACER	1
5	8010041080G000	ENIGINE MOUNT LINK COLLAR	1
6	8010042250G100	WASHER-CHAIN ADJUSTER	1
7	61701200012505	NUT 6170 M12	1
8	6000026150GH00	ENGINE MOUNT BOLT	1
9	61871000012505	NUT 6187 M10	2
10	57851004512505	BOLT 5785 M10X45	1
11	8010076150G100	ENGINE MOUNT BOLT PLATE COLLAR	1
12	57831602520003	BOLT 5783 M16X25	1

13	93001600000003	SPRING WASHER 93 ø16	1	
14	8010084250G000	TOW BALL	1	
15	81800606010004	SCREW 818 M6X60	2	
16	7010006250G000	BOLT COVER	2	
17	7010029250G000	ELECTRIC ASSY COVER	1	
18	2000029150GH00	REAR SWING ARM ASSY. UPPER	1	
19	57871206012505	BOLT 5787 M12X60	2	
20	61871200012505	NUT 6187 M12	2	
21	70000801212505	BOLT 70 M8X12	4	
22	8020013150G000	CON'ROD SPACER	4	
23	7010002250G000	LOWER SUSPENSION ARM BUSHING	8	
24	57890602512505	BOLT 5789 M6X25	1	
25	61870600010005	NUT 6187 M6	1	
26	8010025150G100	ENGINE MOUNT COLLAR	1	
27	57871019012505	BOLT 5787 M10X190	1	
28	8030001150G700	SWING ARM DOG BONE	2	
29	6000042150G000	PARKING BRAKE LEVER ASSY.	1	
30	90746501610005	SCREW 9074.6 M5X16	1	
32	7020024150G000	REVERSE LEVER COVER	1	
33	57870802012505	BOLT 5787 M8X20	2	
34	8040004150G000	CABLE SPRING	1	
35	61870800012505	NUT 6187 M8	2	

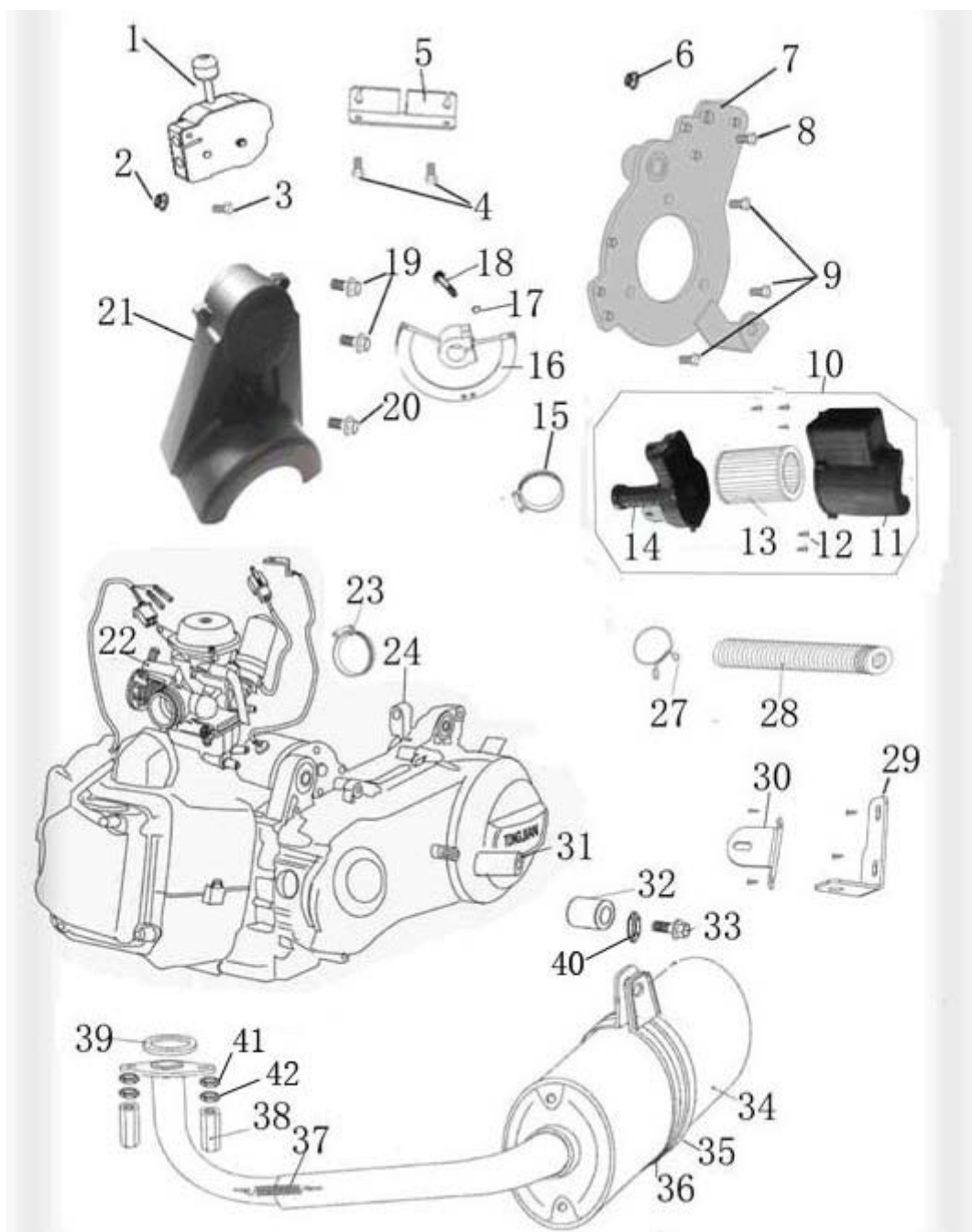
- 13 -  
REAR SWING ARM



NO.	CODE	DESCRIPTION	QTY.
1	6000006150G004	REAR CUSHION	2
2	57891004012505	BOLT 5789 M10X40	4
3	61871000012505	NUT 6187 M10	4
4	7010028250G000	BATTERY COVER	1
5	6000382250G000	BATTERY	1
6	7020020250G000	BATTERY CUSHION	1
7	7020023250G000	BATTERY BAND	1
8	7010032150G001	CHAIN DISC GUARD	1
9	57890801212505	BOLT 5789 M8X12	1
10	93000800000005	SPRING WASHER $\varphi$ 8	2
11	57890810012505	BOLT 5789 M8X100	1
12	7010006150G000	SWING ARM BUSHING	4

13	8010028150G100	SWING ARM COLLAR	2	
14	7010064150G009	REAR FENDER LEFT	1	
15	57890601610005	BOLT 5789 M6X16	10	
16	61770600010005	NUT 6177 M6	10	
17	6000101150GH02	REAR FENDER BRACKET R	1	
18	57870804512505	BOLT 5787 M8X45	2	
19	61871200012505	NUT 6187 M12X1.25	2	
20	7020008250G000	SWING ARM CUSHION BUSHING	2	
21	57871206012505	BOLT 5787 M12X60	2	
22	2000042150GH00	RR LOWER SWING ARM	1	
23	6000101150GH01	REAR FENDER BRACKET L	1	
26	57890601610005	BOLT 5789 M6X16	1	
27	61870600012505	NUT 6187 M6	1	
28	81800300810001	SCREW 818 M3X8	2	
29	61700300010002	NUT 6170 M3	2	
30	7010064150G010	REAR FENDER RIGHT	1	

**ENGING/MUFFLER/EIR/CLEANER**

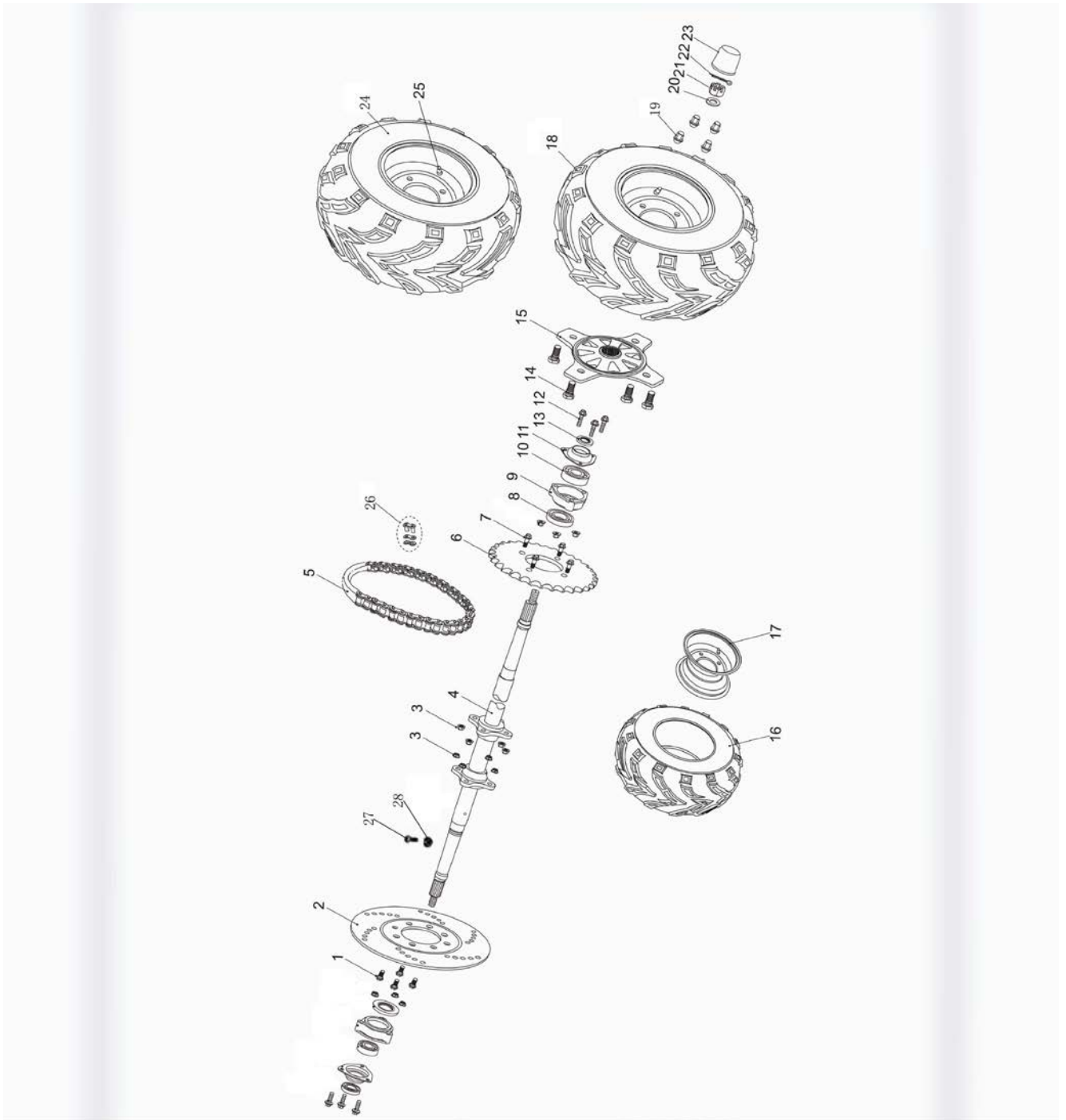


NO.	CODE	DESCRIPTION	QTY.
1	4070000300G000	SHIFTER HOUSING ASSY	1
2	61870800012505	NUT 6187 M8	1
3	57870802012505	BOLT 5787 M8X20	1
4	57890601210005	BOLT 5789 M6X12	2
5	4000100300G200	REVERSE CABLE FIXING PLATE	1
6	6177080012505	NUT 6177 M8	1
7	1010000300G000	ENGINE MOUNT PLATE	1
8	57890801612505	BOLT 5789 M8X16	1
9	57810801612505	BOLT 5781 M8X16	3
10	4000018150G000	AIR FILTER ASSY.	1

11	7010047150G000	AIR FILTER HOUSING UPPER	1	
12	84505001600002	SCREW 845 ST5X20	9	
13	6000151150G000	AIR FILTER ELEMENT	1	
14	4910100150G0A0	AIR FILTER HOUSING LOWER	1	
15	8020056150G000	AIR FILTER CLAMP	1	
16	4000200300G200	SHIFT DISC	1	
17	93000600000005	SPRING WASHER $\phi$ 6	1	
18	57830602510005	BOLT 5783 M6X25	1	
19	57890602510005	BOLT 5789 M6X25	2	
20	57890802512505	BOLT 5789 M8X25	1	
21	7010133150G001	CHAIN PROTECOR RR	1	
22	PD24J00150G000	CARBURETOR	1	
23	7020054150G000	AIR CLEANER CLAMP		
24	1100000150G0A0	150CC ENGINE	1	
27	7020054150G000	AIR CLEANER CLIP	1	
28	7010057150G000	AIR CLEANER DUCT	1	
29	4900300150G000	AIR CLEANER MOUNT PLATE RR	1	
30	4900200150G000	AIR CLEANER MOUNT PLATE FR	1	
31	8030037150G000	MUFFLER RACK SUPPORT		
32	5813000150G000	BUSHING	1	
33	57870805012505	BOLT 5787 M8X50	1	
34	6000229150G000	MUFFLER COMP.	1	
35	8020166250G000	MUFFLER CLAMP	1	
36	7020054250G000	MUFFLER CUSHION	1	
37	58235400N000	MUFFLER SPRING	2	
38	9040027150G000	MUFFLER JOINT NUT M6	2	
39	9040005150G000	MUFFLER PIPE GASKET	1	
40	96001000000005	WASHER $\phi$ 10	1	
41	97000600000005	WASHER $\phi$ 6	2	
42	93000600000005	SPRING WASHER $\phi$ 6	2	



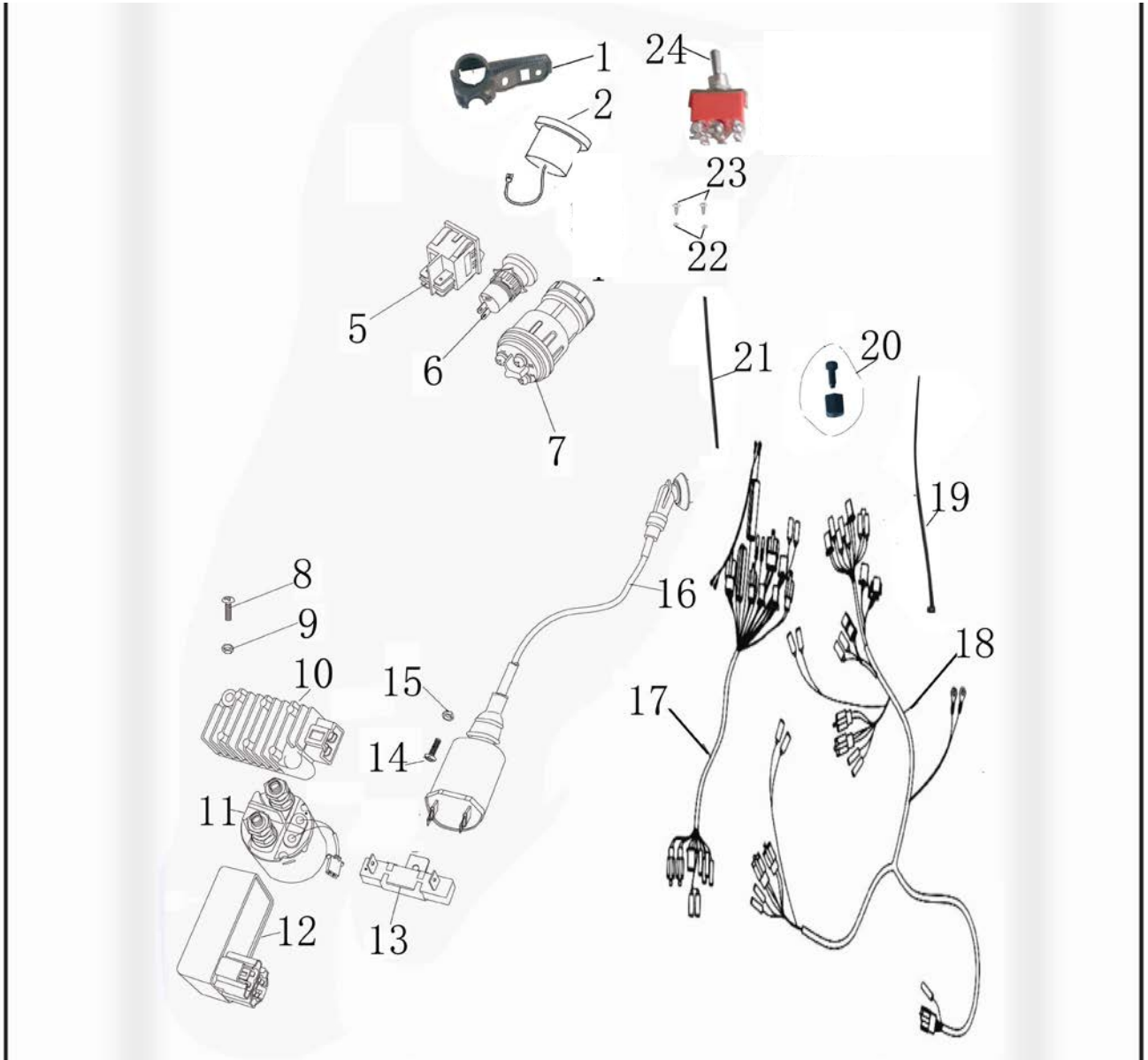
**REAR HOUSING**



NO.	CODE	DESCRIPTION	QTY.
1	57890802512505	BOLT 5789 M8X22	4
2	8010053250G000	BRAKE DISC	1
3	61870800012505	NUT 6187 M8	14
4	8010057150G0A0	REAR AXLE	1
5	4200542150G000	530 CHAIN 52	1
6	8110077250G000	SPROCKET 39T	1
7	57890803012505	BOLT 5789 M8X30	4
8	YF050003400700	OIL SEAL 34*50*7	2
9	8030008150G100	RR. AXLE BRG HOUSING COMP	2

10	62062RS0000000	BEARING 6206-2RS	2	
11	8020028150G100	BEARING BASE	2	
12	57870804012505	BOLT 5787 M8X40	6	
13	YF042003000700	OIL SEAL 30*42*7	2	
14	9710031250G000	TIRE BOLT M10X1.25X31	8	
15	8010056150GH02	REAR WHEEL HUB	2	
16	7020052150G000	REAR TIRE 21X10-10	2	
17	6000143250G000	REAR WHEEL (IRON)	2	
18	6000148250G000	REAR WHEEL ASSY L	1	
19	61871000012505	NUT 6187 M10X1.25	8	
20	97001600000005	WASHER $\phi$ 16	2	
21	94571500015005	CASTLE NUT M16X1.5	2	
22	GB914004000002	COTTER PIN $\Phi$ 4x40	2	
23	7020039250G000	HUB COVER	2	
24	6000052250G001	REAR WHEEL ASSY R	1	
25	7190018250G000	AIR VALVE	2	
26	6000149150G000	CHAIN MASTER LINK 530	1	
27	81800300610001	SCREW 818 M3X6	1	
28	7190013250G000	SPEED SENSOR MAGNET	1	

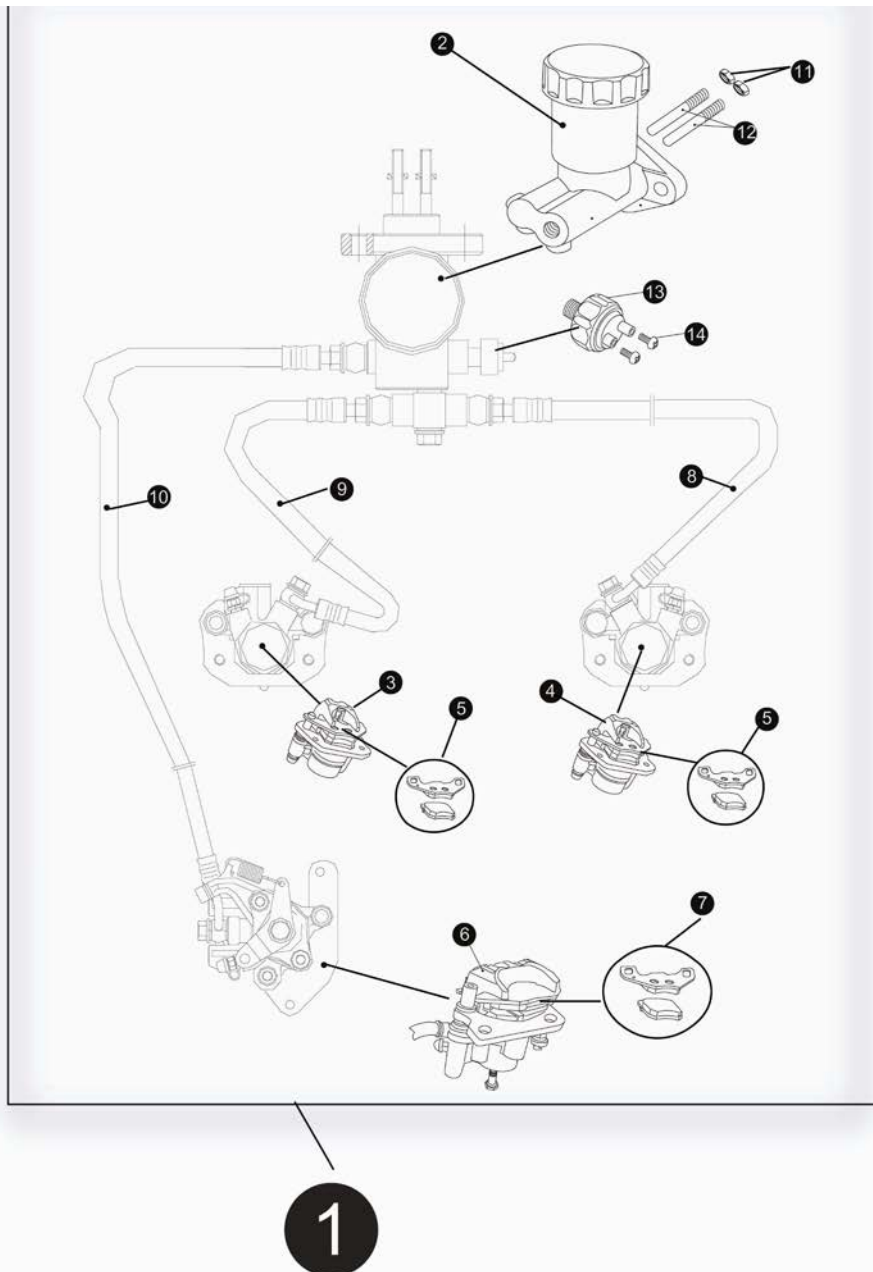
**WIRE HARNESS/ELECTRICAL**



NO.	CODE	DESCRIPTION	QTY.	
1	7010027150G0B0	SWITCH PANEL	1	
2	8002200150G000	SPEEDOMETER	1	
5	6000160250G000	HEADLIGHT SWITCH	2	
6	6000159250G000	ENGINE STOP BUTTON	1	
7	6000020150G000	IGNITION START SWITCH	1	
8	81800603010004	SCREW 818 M6X30	2	
9	61870600010005	NUT 6187 M6	2	
10	6000124150G000	REGULATE RECTIFIER	1	
11	6000035250G000	STARTING RELAY	1	
12	6000126150G000	C.D.I UNIT COMP	1	
13	6000038250G000	RESISTOR	1	
14	57870602510005	BOLT 5787 M6X25	1	
15	61870600010005	NUT 6187 M6	1	
16	6000125150G000	IGNITION COIL COMP	1	

17	6000381150G003	BLAZER4 150X AUX WIREHARNESS	1	
18	6000380150G003	BLAZER4 150X MAIN WIREHARNESS	1	
19	12111208035	ZIP TIE	21	
20	0001000250G000	FLAG POLE HOLDER	1	
21	0000100250G000	FLAG POLE	1	
22	81800402010001	BOLT 818 M4X20	2	
23	61870400010002	NUT 6187 M4	2	
24	6000384150G0B0	TURN LIGHT SWITCH	1	

- 21 -  
BRAKE ASSY



NO.	CODE	DESCRIPTION	QTY.
1	4510001150G000	BRAKE ASSY.	1
2	6000076250G000	MASTER CYLINDER	1
3	6000095250G000	FRONT BRAKE CALIPER R	1
4	6000028250G000	LEFT BRAKE CALIPER L	1
5	7020016250G000	FRONT CALIPER BRAKE PAD	2
6	6000229300G000	REAR BRAKE CALIPER	1
7	7020022150G000	REAR CALIPER BRAKE PAD	1
8	6000089150G001	FRONT LEFT BRAKE HOSE	1
9	6000090150G001	FRONT RIGHT BRAKE HOSE	1
10	6000091150G001	REAR BRAKE HOSE	1
11	61700800012505	NUT 6170 M8	2
12	8010081250G000	BRAKE PIN SPINDLE	2

## STICKERS



NO.	CODE	DESCRIPTION	QTY.
1	9070600150G001	FRONT LEFT STICKER BLAZER150X	1
2	9070600150G002	FRONT RIGHT STICKER BLAZER150X	1
3	9070600150G004	FRONT LEFT FENDER STICKER BLAZER150X	1
4	9070600150G005	FRONT RIGHT FENDER STICKER BLAZER150X	1
5	9070600150G008	MODEL STICKER LEFT BLAZER150X	1
6	9070600150G009	MODEL STICKER RIGHT BLAZER150X	1
7	9070601150G005	LEFT SIDE PANEL STICKER BLAZER4 150X	1
8	9070601150G006	RIGHT SIDE PANEL STICKER BLAZER4 150X	1
9	9070601150G007	REAR LEFT FENDER STICKER BLAZER4 150X	1
10	9070601150G008	REAR RIGHT FENDER STICKER BLAZER4 150X	1