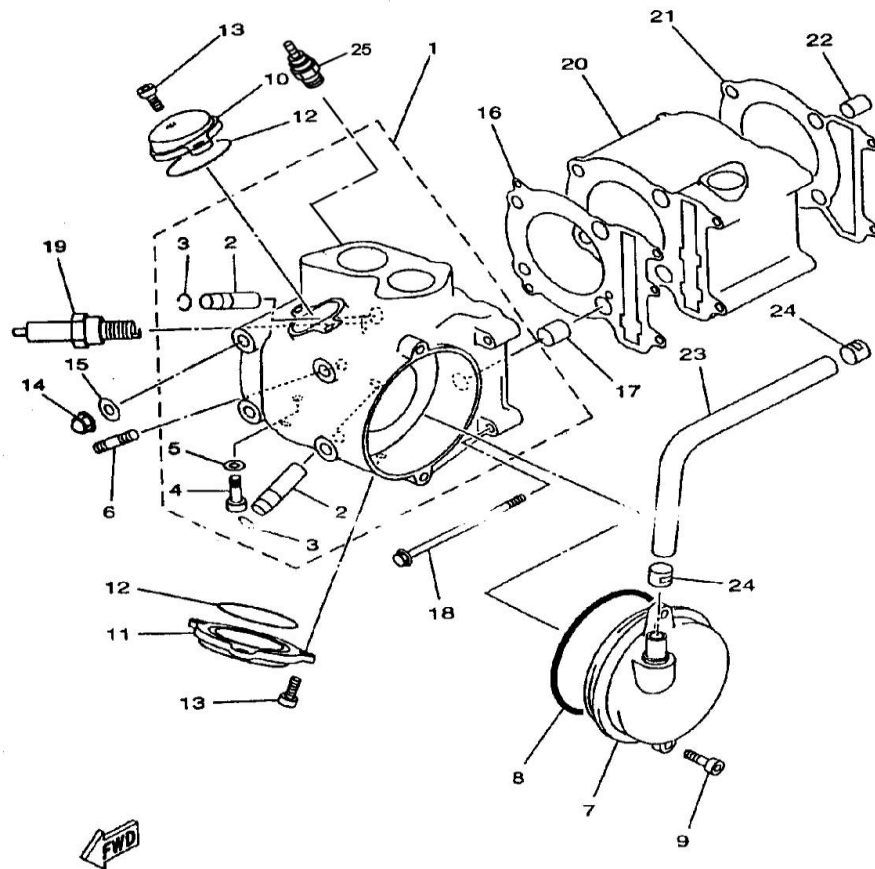




**TrailMaster UTV**  
**TAURUS 400 PARTS MANUAL**

Fig 1

CYLINDER

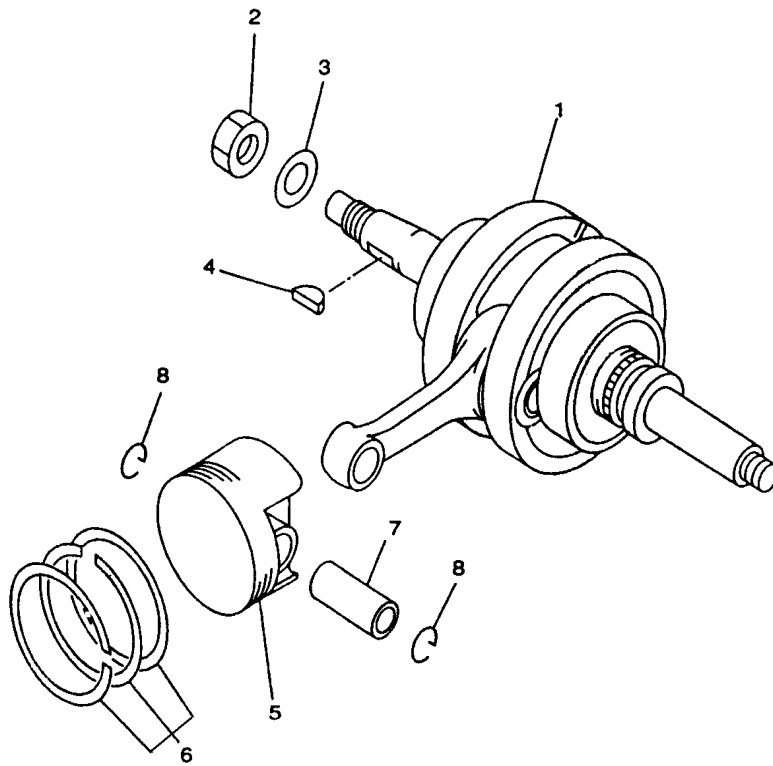


REF. No.	Part No.	DESCRIPTION	Q'TY
1	27337	CYLINDER HEAD ASSY	1
2	27338	GUIDE INTAKE VALVE	2
3	10112	CIRCLIP 12	2
4	10086	BOLT M6X12	1
5	22810	GASKET 6	1
6	10014	BOLT STUD M8X25	2
7	22407A	BREATHER ASSY	1
8	22408	O-RING 95X3.3	1
9	10008	BOLT SOCKET HEAD M6X20	2
10	22410	VALVE COVER INTAKE SIDE	1
11	22411	VALVE COVER EXHAUST SIDE	1
12	22412	O-RING 57.5X2.3	2
13	10008	BOLT SOCKET HEAD M6X20	5
14	22414	NUT CROWN M8	4

15	22415	WASHER PLATE 8	4
16	27221	GASKET CYLINDER HEAD1	1
17	22417	PIN DOWEL 14X16	2
18	27339	BOLT FLANGE M6X130	2
19	22419	PLUG SPARK-NGK DR8EA	1
20	27228	CYLINDER	1
21	27226	GASKET CYLINDER	1
22	22422	PIN DOWEL 10X14	2
23	22423	PIPE BREATHER1	1
24	22424	CLIP 13MM	2

Fig 2

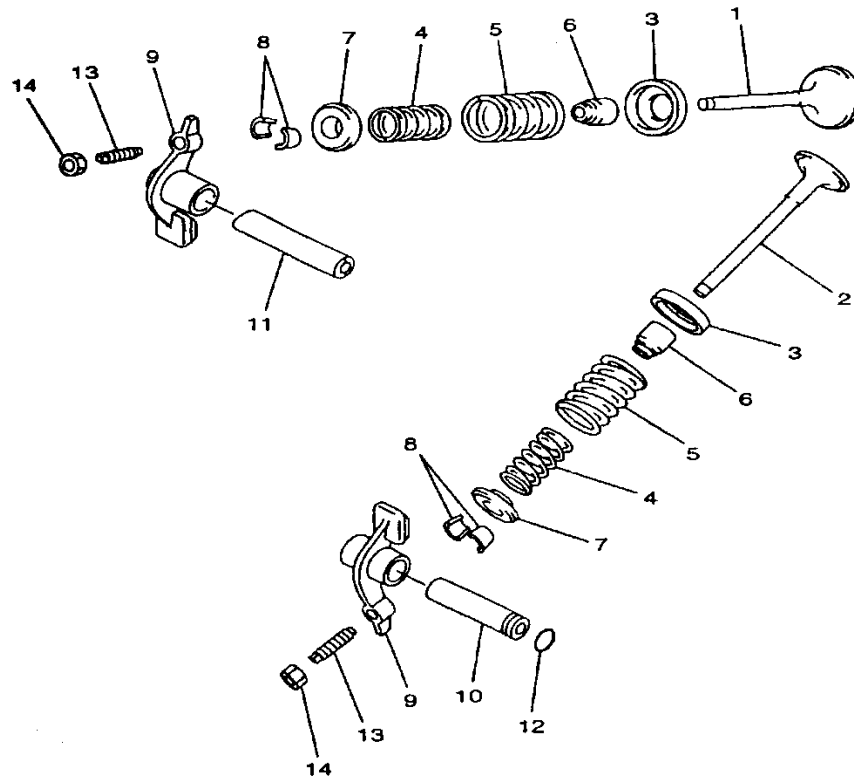
CRANKSHAFT COMP



REF. No.	Part No.	DESCRIPTION	Q'TY
1	27238	CRANKSHAFT ASSY	1
2	22502	NUT M16X1	1
3	22503	WASHER PLATE 16	1
4	22504	KEY WOODRUFF	1
5	27241	PISTON	1
6	27242	PISTON RING SET	1
7	27240	PISTON PIN	1
8	27239	CLIP	2

Fig 3

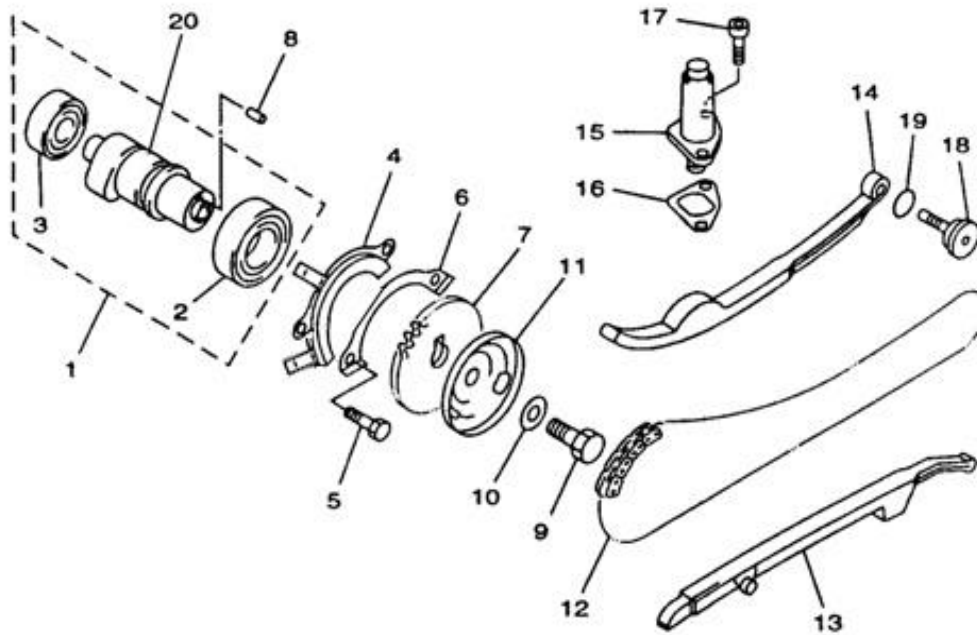
VALVE



REF. No.	Part No.	DESCRIPTION	Q'TY
1	27222	INTAKE VALVE	1
2	27223	EXHAUST VALVE	1
3	22603	SEAT SPRING VALVE	2
4	22604	SPRING VALVE INNER	2
5	22605	SPRING VALVE OUTER	2
6	22606	SEAL VALVE STEM	2
7	22607	RETAINER SPRING VALVE	2
8	22608	COTTER VALVE	4
9	22609	ROCKER ARM VALVE	2
10	22610	EXHAUST ROCKER SHAFT	1
11	22611	INTAKE ROCKER SHAFT	1
12	22612	O-RING 9X2	1
13	22613	ADJUSTING SCREW VALVE	2
14	22614	NUT M6X0.75	2

Fig 4

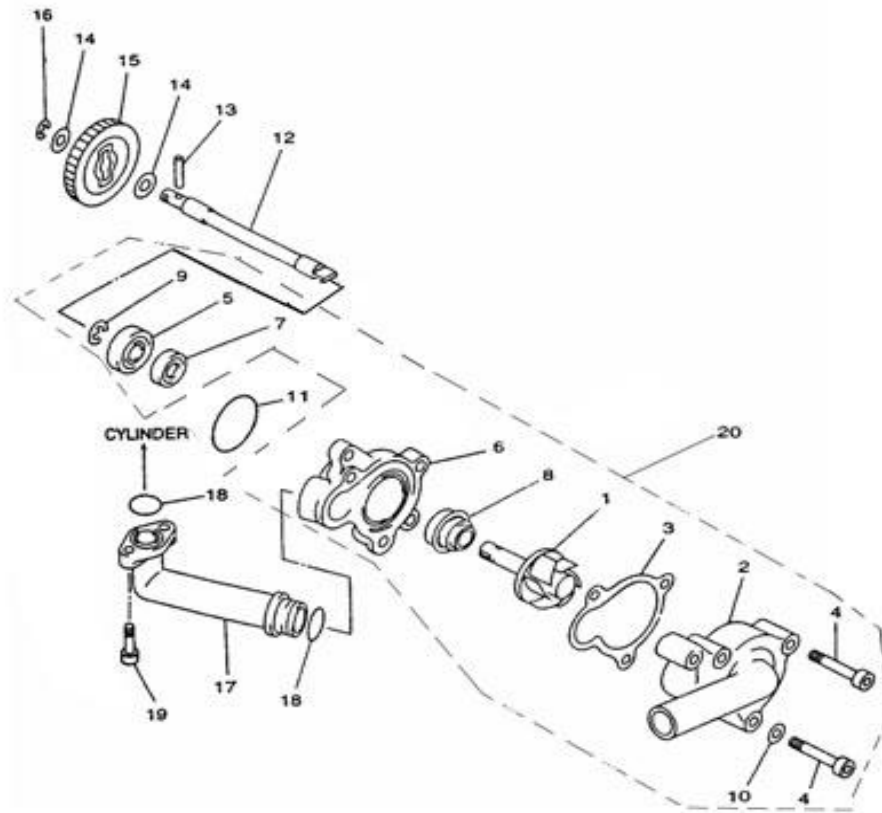
# CAMSHAFT CHAIN



REF. No.	Part No.	DESCRIPTION	Q'TY
1	27234	CAMSHAFT ASSY1	1
2	10012	BEARING	1
3	10013	BEARING(B6202Z)	1
4	27237	PLATE	1
5	10086	BOLT M6X12	2
6	27236	LOCK WASHER	1
7	22707	CAM CHAIN SPROCKET	1
8	10024	DOWEL PIN B4X10	1
9	10025	BOLT M10X1.25X25	1
10	22710	WASHER PLATE 10	1
11	22711	BREATHER PLATE2	1
12	27201	CHAIN	1
13	27203	GUIDE STOPPER1	1
14	27202	GUIDE STOPPER2	1
15	22715A	CAM CHAIN TENSIONER ASSY	1
16	22716	GASKET TENSIONER CASE	1
17	10036	SOCKET HEAD BOLT M6X14	2
18	22718	CHAIN TENSIONER PIVOT BOLT	1
19	22719	O-RING 14.5X1.8	1
20	27235	CAMSHAFT	1

Fig 5

# WATER PUMP



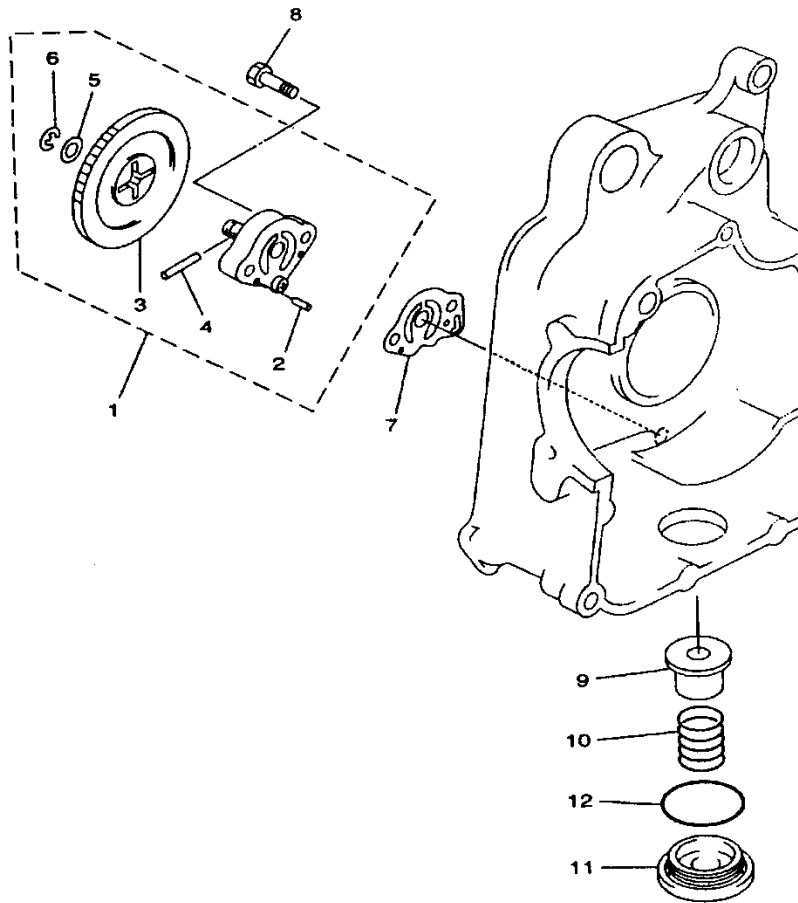
REF. No.	Part No.	DESCRIPTION	Q'TY
1	22801	IMPELLER SHAFT ASSY	1
2	22802	HOUSING COVER	1
3	22803	GASKET HOUSING COVER2	1
4	10041	SOCKET HEAD BOLT M6X35	3
5	10043	BEARING	1
6	22806	WATER PUMP HOUSING	1
7	22807	OIL SEAL 10X21X5	1
8	22808	MECHANICAL SEAL	1
9	10044	CIRCLIP 9	1
10	22810	GASKET 6	1
11	10049	O-RING 33.5X2.65	1
12	27230	SHAFT	1
13	10070	DOWEL PIN C3X22	1
14	22814	WASHER PLATE 8	2
15	22815	IMPELLER SHAFT GEAR	1

16	10072	CIRCLIP 8	1
17	27229	JOINT	1
18	10082	O-RING 15.5X2.5	2
19	10083	SOCKET HEAD BOLT M6X15	2
20	27227	WATER PUMP ASSY	1



Fig 6

OIL PUMP



REF. No.	Part No.	DESCRIPTION	Q'TY
1	27245	OIL PUMP ASSY	1
2	10096	DOWEL PIN 3X12	2
3	23103	GEAR PUMP DRIVEN	1
4	10097	DOWEL PIN C3X22	1
5	22814	WASHER PLATE	1
6	10130	CIRCLIP	1
7	23107	GASKET	1
8	10098	SCREW M6X25	2
9	23109	OIL STRAINER	1
10	23110	COMPRESSION SPRING	1
11	23111	DRAIN PLUG	1
12	23112	O-RING 36X3.5	1

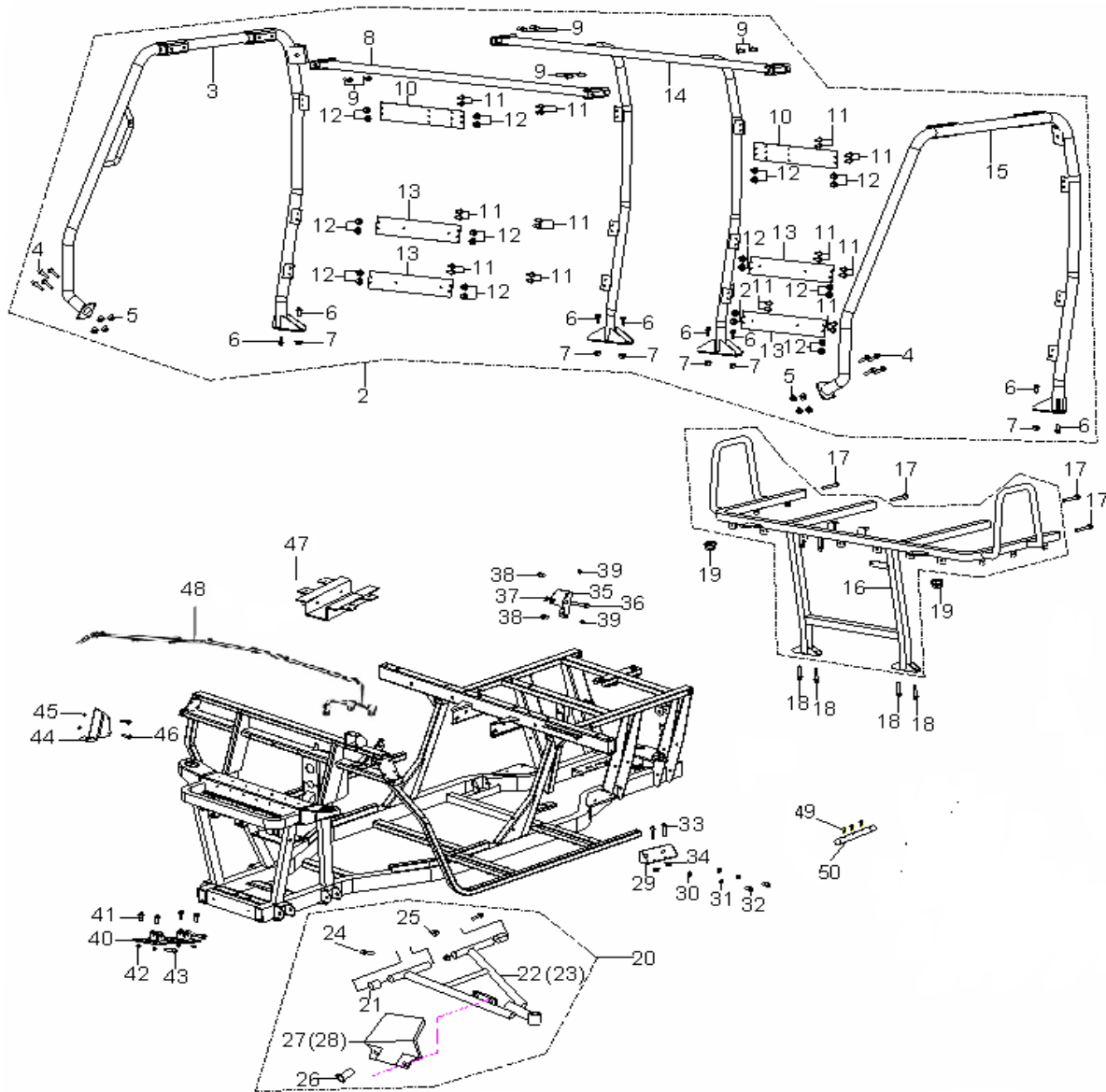
Fig 7

# CARBURETOR

<b>REF. No.</b>	<b>Part No.</b>	<b>DESCRIPTION</b>	<b>Q'TY</b>
1	27224a	CARBURETOR ASSY	1
2	27134	LINE ASSY	1

Fig 8

FRAME

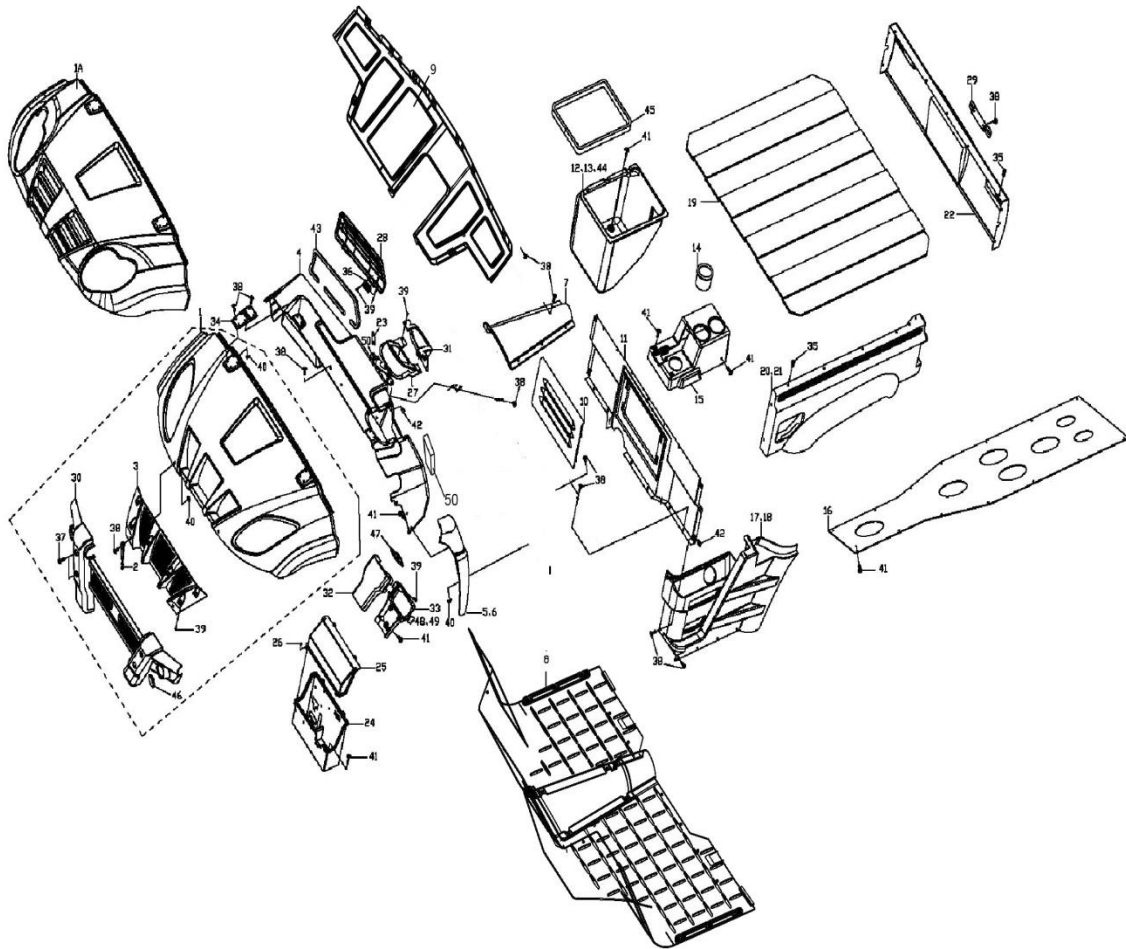


REF. No.	Part No.	DESCRIPTION	Q'TY
1	27104	FRAME	1
2	26701	ROOF FRAME ASSY	1
3	26702	MEMBER,ROOF FRAME 1	1
4	10081	BOLT M8X20	8
5	10079	NUT M8	8
6	26256	BOLT M10X1.25X80	8
7	10015	NUT M10X1.25	6
8	26703	MEMBER,ROOF FRAME 2	1
9	27038	BOLT M8X20	8
10	26706	BRACKET,HEAD REST	2

11	26263	SCREW M6X15	24
12	26269	NUT M6	24
13	26707	BRACKET,BACK REST	4
14	26704	MEMBER,ROOF FRAME 3	1
15	26705	MEMBER,ROOF FRAME 4	1
16	26708a	SEAT FRAME	1
17	26249	BOLT M10X1.25X60	4
18	10124	BOLT M8X35	4
19	26721	RUBBER SET,SEAT	2
20	26709	A-ARM ASSY	1
21	20518	BUSHING	4
22	26710	A-ARM ,R	1
23	26711	A-ARM ,L	1
24	27077	A-ARM PIVOT SHAFT	4
25	10136	NUT M12X1.25	4
26	10001	SCREW M5X12	4
27	20519	A - ARM SHIELD,L	1
28	20628	A - ARM SHIELD,R	1
29	21508	TRANSMISSION MOUNTING BRACKET BOTTOM	1
30	10019	WASHER,PLANT	2
31	10027	WASHER,SPRING	2
32	10028	BOLT M10X25	2
33	10081	BOLT M8X20	2
34	10079	NUT M8	2
35	21514	TRANSMISSION MOUNTING BRACKET REAR	1
36	10084	BOLT M10X1.25X70	1
37	10015	NUT M10X1.25	1
38	10081	BOLT M8X20	2
39	10015	NUT M10X1.25	2
40	24438	BACKSTOP	1
41	10163	BOLT M10X1.25X20	4
42	10209	NUT M10X1.25	4
43	10208	BOLT M10X1.25X43	2
44	26728	BRACKET,TANK RECOVERY	1
45	10218	BOLT M8X40	2
46	10079	NUT M8	2
47	27105	BRACKE, REAR AXLE	1
48	26713	FRONT PANEL BRACKET 1	1
49	10008	BOLT M6X20	6
50	26712	PROTECT	2

Fig 9

BODY

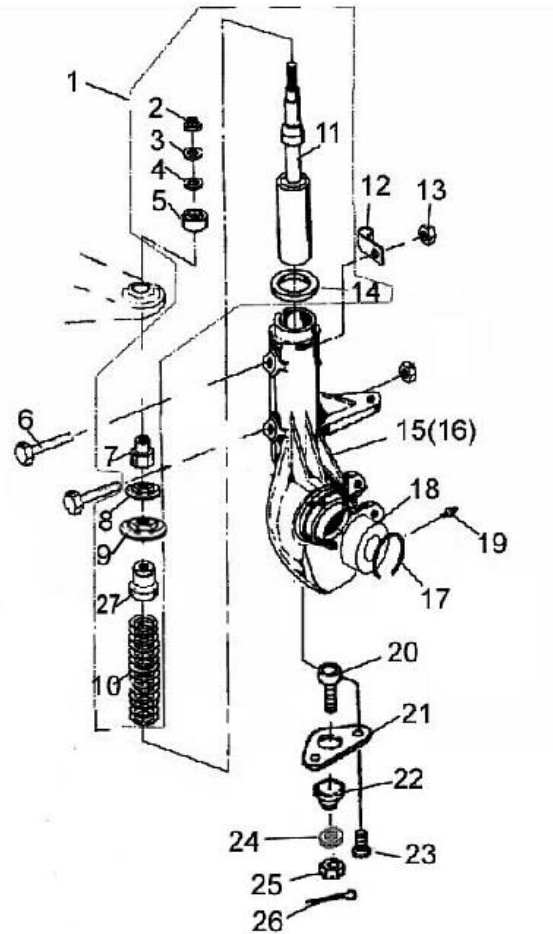


REF. No.	Part No.	DESCRIPTION	Q'TY
1	26201	FRONT BODY (FOR A TYPE)	1
1A	26234	FRONT BODY (FOR B TYPE)	1
2	26212	RUBBER,FRONT BODY FITTING	2
3	26223	GRILLE,FRONT	1
4	26228	PANEL,FRONT	1
5	27157	MUDGUARD,L,FR	1
6	27158	MUDGUARD,R,FR	1
7	27159	COVER,AXLE	1
8	27160	MUDGUARD,LOWER.CENTER	1
9	27161	MUDGUARD,UPPER.CENTER	1
10	27162	REPAIR COVER	1
11	27163	PROTECT COVER	1
12	26204	TOOL BOX	1

13	26205	(CONTAIN TWO OBJECTS WITH JOINTING)	1
14	26206	CAP SEAT	2
15	26207	COVER	1
16	27073	PLASTIC PLANT	1
17	26209	SIDE PANEL COVER,L	1
18	26210	SIDE PANEL COVER,R	1
19	26211	MAT	1
20	26213	PANEL,REAR LEFT FENDER	1
21	26214	PANEL,REAR RIGHT FENDER	1
22	26215	BOX COVER,RR	1
23	26216	SWITCH COVER	2
24	26217	ELECTRIC BOX	1
25	26218	ELECTRIC BOX COVER	1
26	26220	SPEED METER COVR	1
27	26221	LID,GLOVE COVER	1
28	26222	LICENCE BRACKET	1
29	26224	FRONT COVER	1
30	26225	SPEED METER REAR COVR	1
31	26226	STEERING WHEEL COVER,FR	1
32	26227	STEERING WHEEL COVER,RR	1
33	26759	COVER BRACKET	2
34	26760	RIVET	37
35	26761	BRACKET,GLOVE COVER LID	2
36	10059	BOLT M8X25	2
37	20315	BOLT M6X20	67
38	10009	BOLT ST4.8X16	23
39	10103	NUT M6	10
40	10187	BOLT M6X25	29
41	22346	SPRING NUT	12
42	26816	TOOL BOX DUSTPROOF	1
43	26817	ADIABATIC PELLICLE, TOOL BOX	1
44	26818	GLOVE BOX DUSTPROOF	1
45	25092	FRONT INDICATION LIGHT COVER	2
46	26819	STEERING COVWER	1
47	26820	LEFT COVER, STEERING WHEEL	1
48	26821	RIGHT COVER, STEERING WHEEL	1
49	26869	SPEEDMETER BRACKET	1
50	27135	DAMPER LINE BOARD	1

Fig 10

# SHOCK ABSORBER FRONT



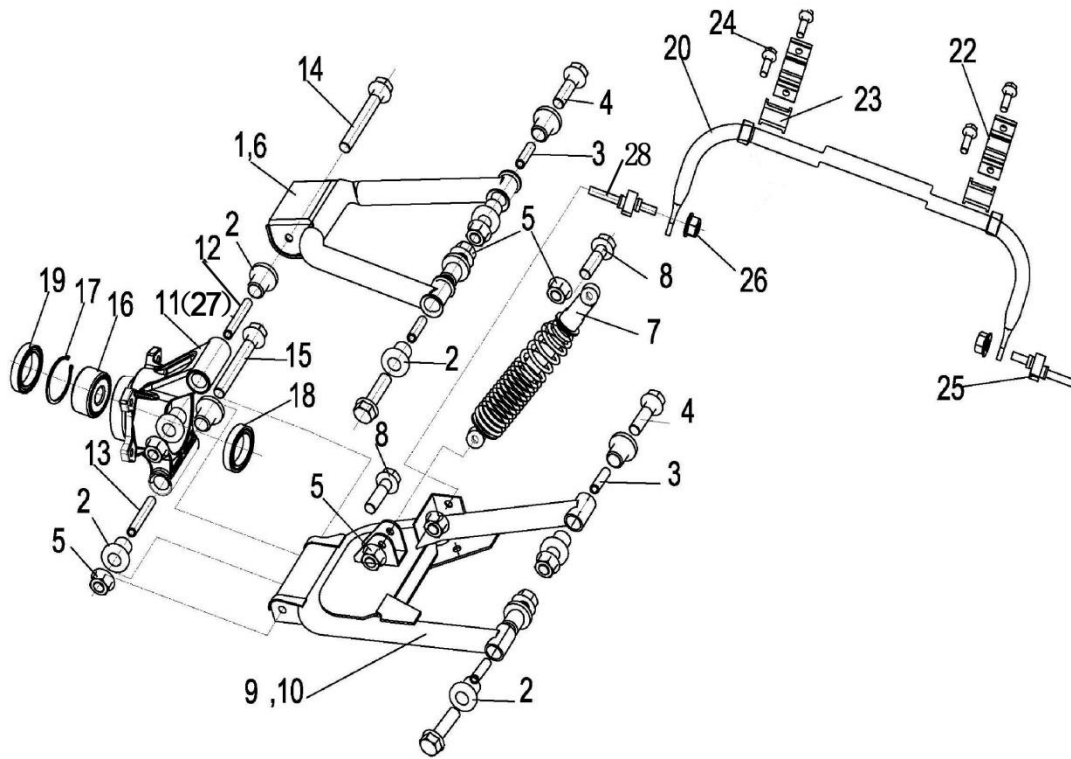
REF. No.	Part No.	DESCRIPTION	Q'TY
1	26907	FRONT SHOCK ABSORBER ASSEMBLY	2
2	10091	NUT M14X1.5	2
3	21802	WASHR 14	2
4	21803	SPACER RUBBER	2
5	21804	UPPER PIVOT BALL	2
6	10093	BOLT M8X55	4
7	21806	NUT M14X1.5	2
8	21807	LOWER PIVOT BALL	2
9	21808	SPRING RETAINER	2
10	26909	SPRING	2
11	26908	STRUT BUMPER	2
12	32104	CLAMP	2
13	10079	NUT M8	4
14	21813	SPRING RETAINER	2

15	26910	STRUT BODY LEFT	1
16	26911	STRUT BODY RIGHT	1
17	26912	CIRCLIP	2
18	26913	BEARING	2
19	27074	GREASE FITTING	2
20	20512	BALL JOINT STUD	2
21	20513	BALL JOINT MOUNTING BRACKET	2
22	20514	BALL JIONT CUP	2
23	10022	BOLT M6X12	4
24	10019	WASHER	2
25	27067	NUT M10X1.25	2
26	10501	COTTER PIN 2.5X25	2
27	622031	CUSHION	2



Fig 11

# SHOCK ABSORBER REAR

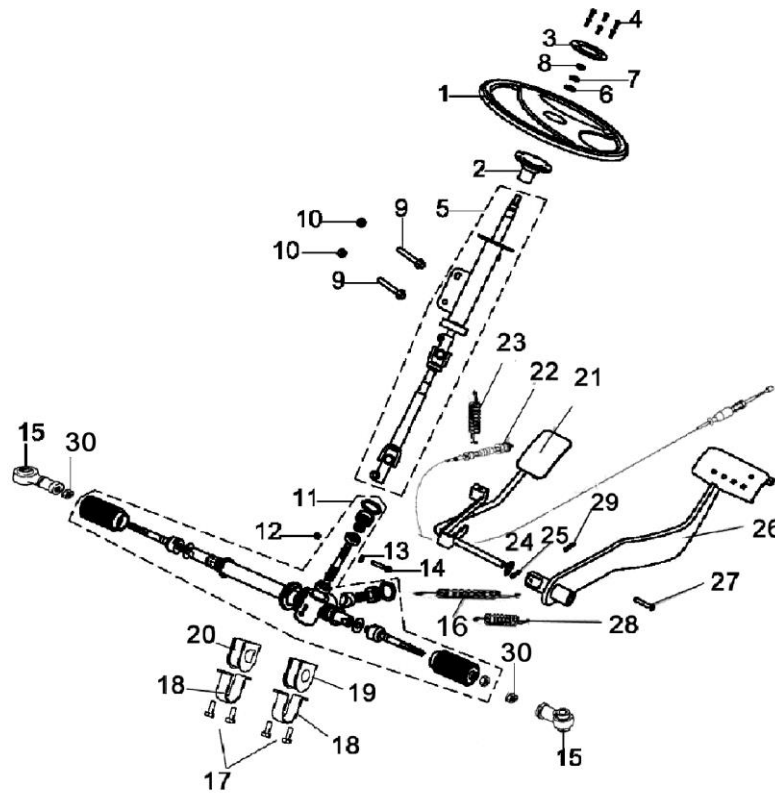


REF. No.	Part No.	DESCRIPTION	Q'TY
1	27127	ARM ,L.RR	1
2	70682	BUSH 1, ARM ,R.RR	24
3	70683	COLLAR	8
4	70684	BOLT M10X1.25X80	8
5	10015	NUT M10X1.25	16
6	27128	ARM ,R.RR	1
7	27126	SHOCK ABSORBER ,RR	2
8	70012	BOLT M10X1.25X52	4
9	27129	ARM SET,L.RR	1
10	27130	ARM SET,R.RR	1
11	27131	KNUCKLE,L.RR	1
12	70692	COLLAR,RR.KNUCKLE,(UPPER)	2
13	70693	COLLAR,RR.KNUCKLE,(LOWER)	2
14	70694	BOL,TKNUCKLE,(UPPER)	2
15	70695	BOL,TKNUCKLE,(LOWER)	2
16	70674	BEARING AU0712	2
17	70055	CIRCLIP 58	2

18	70675	SEAL 61.5 43 11	2
19	70676	SEAL 58 41.2 11	2
20	27133	BAR ,STABILIZER	1
22	27090	HOLDER,STABILIZER BUSH	2
23	27091	BUSH,RR.STABILIZER	2
24	10081	BOLT M8X20	4
25	27092	JOINT, STABILIZER 1	1
26	10015	NUT M10X1.25	2
27	27132	KNUCKLE,R.RR	1
28	27093	JOINT, STABILIZER 2	1

Fig 12

STEERING ASSY.

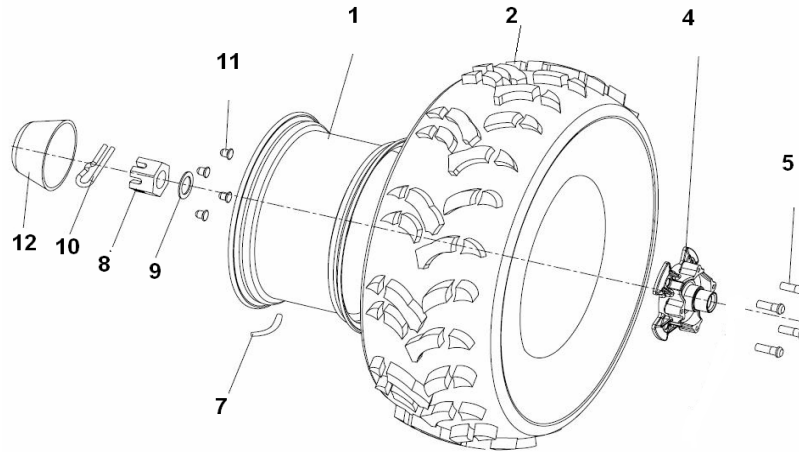


REF. No.	Part No.	DESCRIPTION	Q'TY
1	26925	WHEEL,STEERING	1
2	26932	HOLDER,STEERING WHEEL	1
3	26934	COVER,STEERING WHEEL	1
4	10305	SCREW M5X	6
5	26926	COLUMN,STEERING	1
6	10032	WASHER 12	1
7	10054	WASHER SPRING 12	1
8	26257	NUT M12	1
9	10282	BOLT M12X1.25X30	2
10	10050	NUT M10X1.25	2
11	26927	STEERING ASSY	1
12	10099	NUT M8	1
13	10106	WASHER SPRING 8	1
14	26255	BOLT M8X40	1
15	26928	TIE ROD END B	2

16	26933	SPRING B,BRAKE PADEL	1
17	26241	BOLT M10X30	4
18	26935	COVER, STEERING	2
19	26936	BUSH A	1
20	26937	BUSH B	1
21	26929	PADEL,THROTTLE	1
22	27156	CABLE,THROTTLE	1
23	26938	SPRING,THROTTLE	1
24	26939	WASHER	1
25	10021	PIN	1
26	26931	PEDAL,BRAKE	1
27	26940	PIN	1
28	26941	SPRING A,BRAKE PADEL	1
29	26268	PIN	1
30	10524	NUT M12X1.25	2

Fig 13

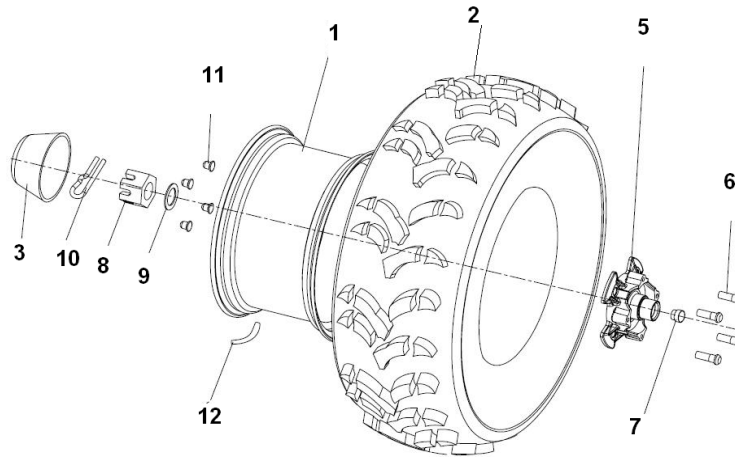
FRONT WHEEL



REF. No.	Part No.	DESCRIPTION	Q'TY
1	27088	WHEEL SUB-ASSY, FR (FOUNDRY)	2
2	26943	TIRE, FR (25X8-12)	2
3	27285	HUB, FR WHEEL	2
4	70714	BOLT M12X1.25	8
5	20807A	VALVE, RIM (TR412)	4
6	70721	BOLT SLOTTED	2
7	70722	WASHER	2
8	26267	PIN 4X32	2
9	70087	NUT, WHEEL	8
10	70717	CAP, WHEEL CENTER	2
11	27088	WHEEL SUB-ASSY, FR (FOUNDRY)	2
12	26943	TIRE, FR (25X8-12)	2

Fig 14

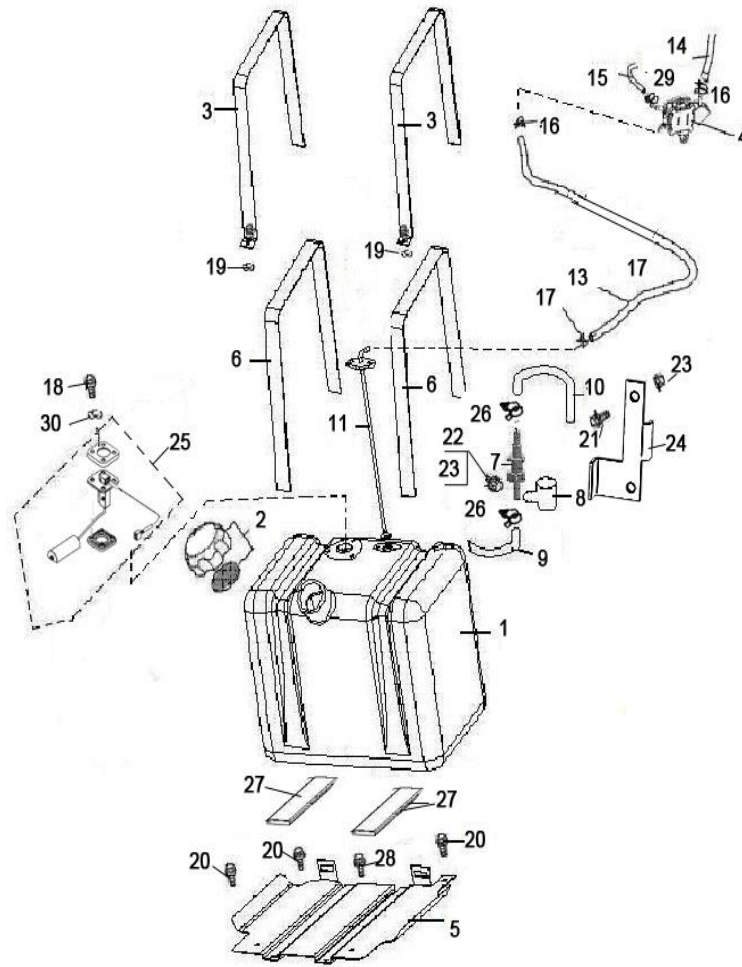
REAR WHEEL



REF. No.	Part No.	DESCRIPTION	Q'TY
1	27137	WHEEL SUB-ASSY, RR (FOUNDRY)	2
2	27086	TIRE, RR (25X8-12)	2
3	70717	CAP, WHEEL CENTER	2
4	70719	HUB, RR WHEEL	2
5	70714	BOLT M12X1.25	8
6	70718	SEAL	2
7	70721	BOLT SLOTTED	2
8	70722	WASHER	2
9	26267	PIN 4X32	2
10	70087	NUT, WHEEL	8
11	20807A	VALVE, RIM (TR412)	2
12	27137	WHEEL SUB-ASSY, RR (FOUNDRY)	2

Fig 15

IRON FUEL TANK (EPA/CARB)



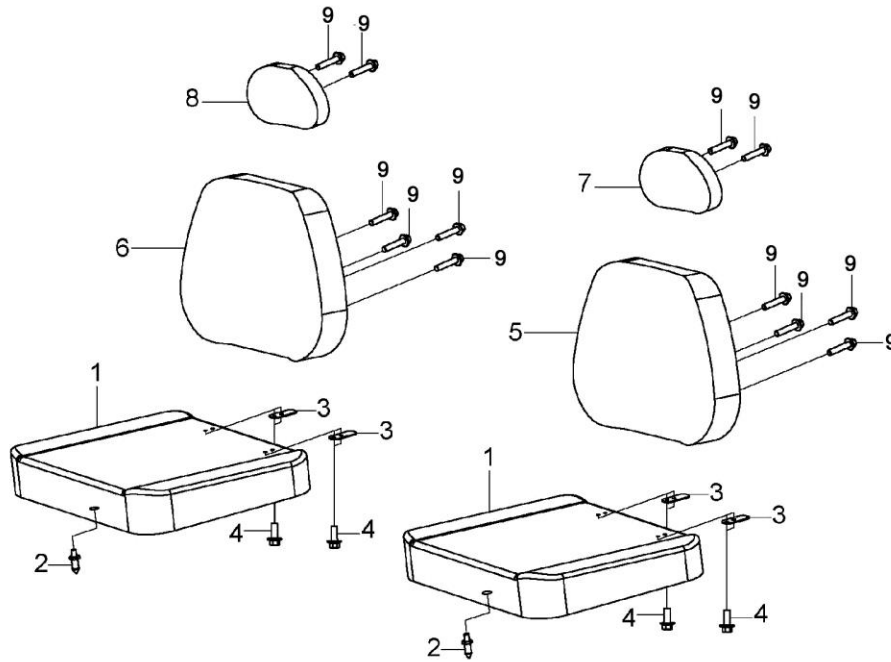
REF. No.	Part No.	DESCRIPTION	Q'TY
1	621197a	FUEL TANK(IRON)	1
2	621198a	FUEL CAP	1
3	621199a	STAY,FUEL TANK	2
4	40728	VACUUM PUMP	1
5	621202a	DAMPER,PLATE 1	1
6	26957	DAMPER,PLATE 2	2
7	25037	ROLL OVER VALVE ASSY	1
8	880.021	CLAMP	1
9	621206	PIPE 1 φ8X1.5 260	1
10	621207a	PIPE 2 φ7X2.5 450	1
11	621209a	OUTLER	1
12	621211a	PIPE 3	1

13	621213a	PIPE 5 $\phi$ 11X3x570	1
14	26962	PIPE 6 $\phi$ 10X2.5x400	1
15	40706	CLAMP $\phi$ 11.3	3
16	40707	CLAMP $\phi$ 12.3	1
17	621219	BOLT M5X12	4
18	10099	NUT M8	2
19	10078	BOLT M8X45	3
20	10110	BOLT M6X35	1
21	10183	BOLT M6X16	1
22	621261	NUT M6	2
23	622010	BRACKET,ROLL OVER VALVE ASSY	1
24	622005	FUEL SENSOR	1
25	622006	CLAMP $\phi$ 8.5	2
26	622007	FUEL TANK CUSHION	2
27	10081	BOLT M8X20	1
28	622008	CLAMP $\phi$ 9.8	2
29	621901	WASHER $\phi$ 5	4
30	621197a	FUEL TANK(IRON)	1



Fig 16

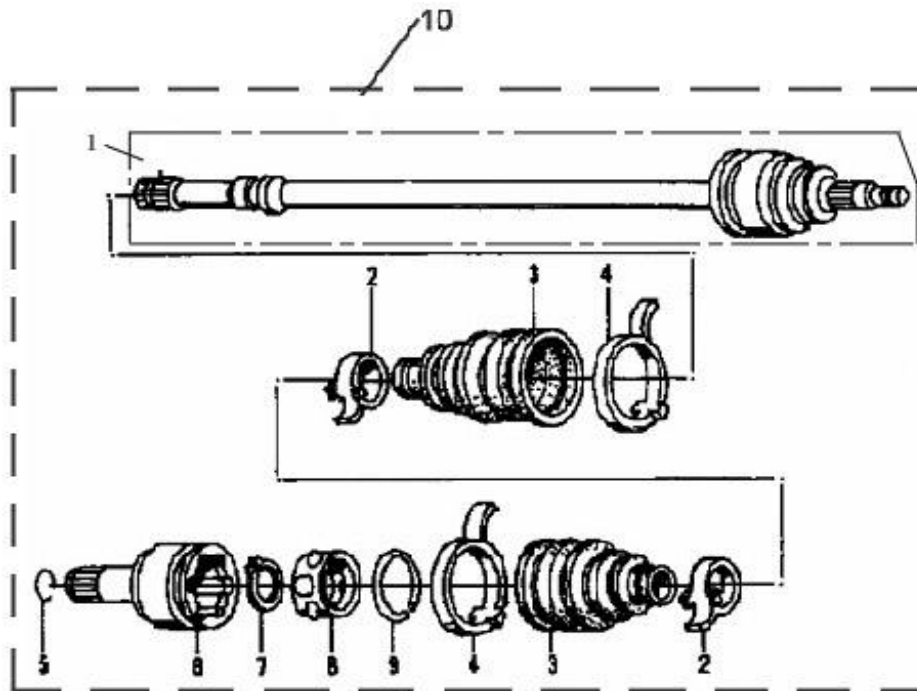
SEAT ASSY.



REF. No.	Part No.	DESCRIPTION	Q'TY
1	26963a	SEAT ASSY (USED FOR USA)	2
2	26968	PIN,SEAT ASSY	2
3	26969	SEAT LOCK	4
4	10110	BOLT M6X20	20
5	26964a	BACK REST,L (USED FOR USA)	1
6	26965a	BACK REST,R (USED FOR USA)	1
7	26966a	HEAD REST,L (USED FOR USA)	1
8	26967a	HEAD REST,R (USED FOR USA)	1
9	GB/T818	BOLT M6X12	16

Fig 17

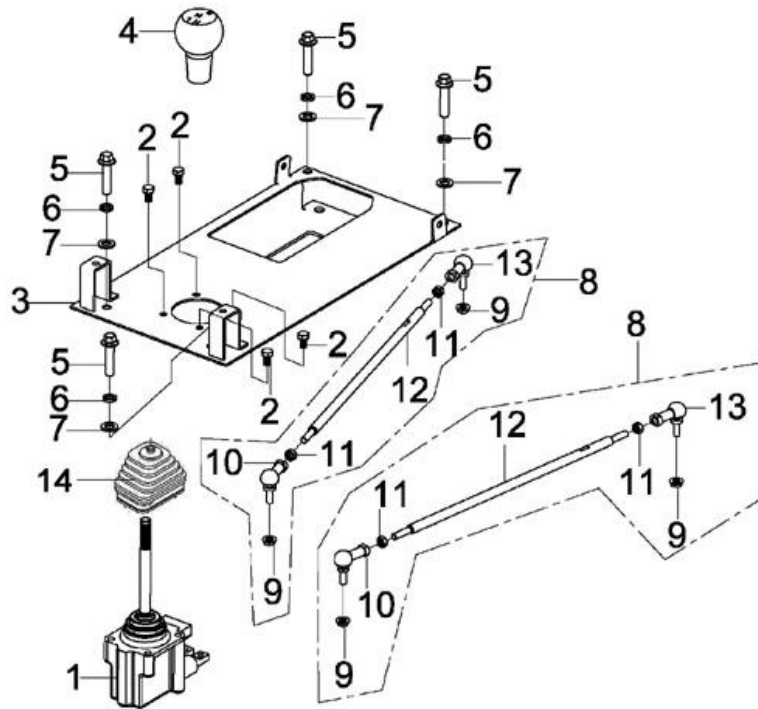
REAR DRIVE AXLE



REF. No.	Part No.	DESCRIPTION	Q'TY
1	27136	DRIVE AXLE/OUTER CV JOINT ASSEMBLY	2
2	24402	BOOT BAND "A"	1
3	24403	OUTER BOARD BOOT	1
4	24404	BOOT BAND "B"	1
5	70084	STOPPER RING B	1
6	70360	OUTER CV JOINT	1
7	24407	CIRCLIP 20	1
8	25535	STEEL BALL BRACKET STEEL BALL AND GEAR WHEEL	2
9	24409	STOPPER RING A	1
10	27112	REAR DRIVE AXLE	1

Fig 18

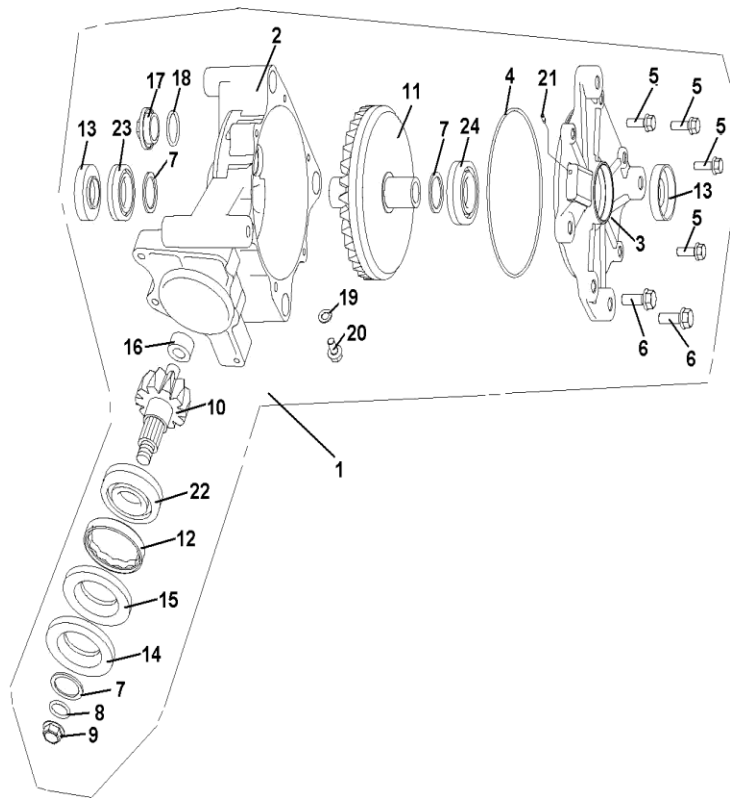
SHIFT ROD



REF. No.	Part No.	DESCRIPTION	Q'TY
1	26722	SHIFFER ASSY	1
2	10272	BOLT M6X16	4
3	26723	BRACKET,SHIFTER	1
4	26724	KNOB	1
5	26258	BOLT M8X20	4
6	10068	WASHER 8	4
7	10106	WASHER SPRING 8	4
8	26725	SHIFTER MOUNTING ROD	2
9	10004	NUT M6	4
10	21625	SHIFT ROD END CCW	2
11	10090	NUT M6	4
12	26726	SHIFT ROD	2
13	21620	SHIFT ROD END CW	2
14	26727	BOOT, SEALING	1

Fig 19

REAR GEAR-BOX

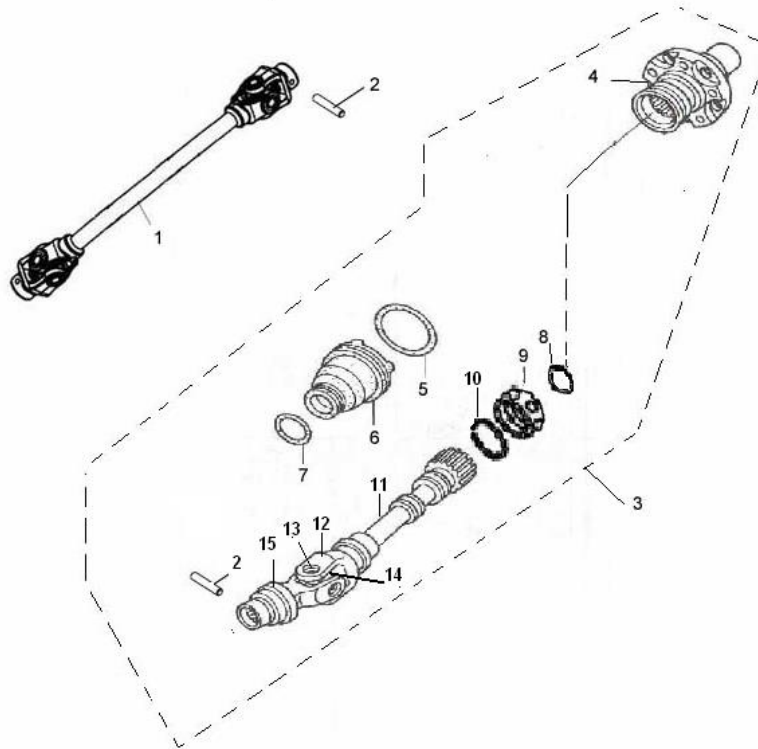


REF. No.	Part No.	DESCRIPTION	Q'TY
1	70286	REAR GEAR-BOX ASSY	1
2	70291	DRIVE HOUSING	1
3	70292	OUTPUT COVER	1
4	70293	O-RING 160X2.65	1
5	10060	BOLT M8X28	4
6	70010	BOLT M10X1.25X28	2
7	70294	WASHER 31	3
8	70295	O-RING 20X3	1
9	70296	NUT M16X1.5	1
10	70297	OUTPUT AXLE,RING REAR GEAR-BOX	1
11	70298	INPUT AXLE,RING REAR GEAR-BOX	1
12	70299	LOCK NUT	1
13	70288	SEAL 30X55X11	2
14	70289	SEAL 38X85X8	1
15	70290	SEAL 38X80X8	1
16	44104	BEARING 15NQ2815	1

17	24305	OIL SCREEN CAP	1
18	50082	O-RING	1
19	20818	WASHER	1
20	20817	OIL PLUG	1
21	21340	VENT TUBE FITTING	1
22	70019	BEARING 6306	1
23	10202	BEARING 6006	1
24	27039	BEARING	1

Fig 20

KNUCKLE



REF. No.	Part No.	DESCRIPTION	Q'TY
1	26730	FRONT KNUCKLE	1
2	20716	PIN 8	2
3	27106	REAR KNUCKLE	1
4	27094	JOINT, INBOARD	1
5	27099	BOOT BAND A	1
6	27101	OUTER BOARD BOOT	1
7	27102	BOOT BAND B	1
8	27098	CIRCLIPS FOR SHAFT	1
9	27095	STEEL BALL BRACKET STEEL BALL AND GEAR WHEEL	1
10	27100	STOPPER RING	1
11	27103	SPLING AXLE	1
12	27341	LINK FORK	1
13	70044	CIRCLIP 20	2
14	27079	U-JOINT CROSS	1
15	27080	SPLINE AXIS JOINT	1

Fig 21

TRANSMISSION



REF. No.	Part No.	DESCRIPTION	Q'TY
1	21201	SEAL 25X47X8	1
2	10060	BOLT M8X28	17
3	21203b	MAIN COVER (USE WITH HIGH-POWER CLUTCH)	1
4	21104	DOWEL PIN	2
5	10061	BEARING 6205c3	3
6	21206b	INPUT SHAFT 29T	1
7	21207	CHAIN	1
8	21208	GEAR 16T	1

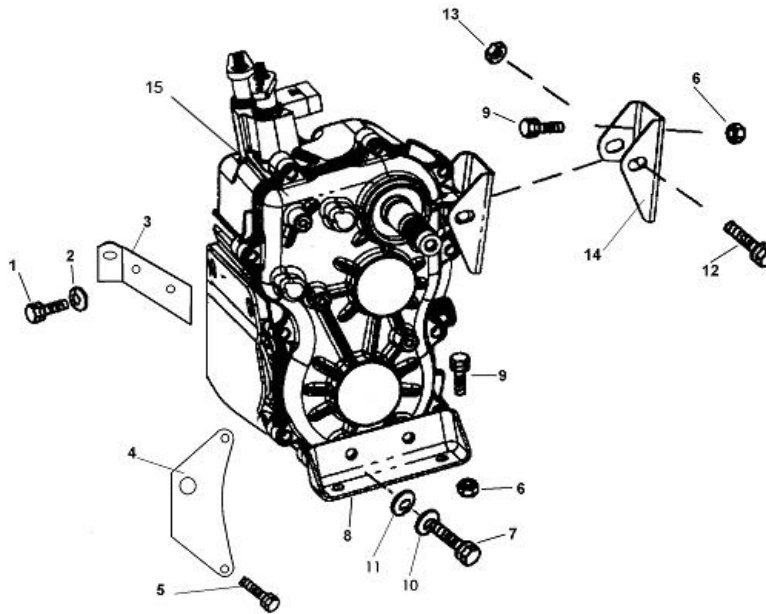
9	10062	BEARING 6204	3
10	21210a	GEAR, HELICAL 31T	1
11	21211	INTERLOCK PIN	2
12	21212	INTERLOCK BRACKET	1
13	21213	SPRING	1
14	21211	INTERLOCK PIN	1
15	10001	SCREW M5X12	2
16	21216	SPACER	1
17	21217	GEAR 31T	1
18	21218	NEEDLE BEARING 25	1
19	21219	THRUST WASHER	1
20	10064	SNAP RING	1
21	21221	DOG GEAR	1
22	10065	SNAP RING	1
23	21223	THRUST WASHER	1
24	21224	SPROCKET 24T	1
25	21225	NEEDLE BEARING 25	1
26	21223	THRUST WASHER	1
27	21327	SHAFT	1
28	21218	NEEDLE BEARING 25	1
29	21329	GEAR 35T	1
30	21223	THRUST WASHER	1
31	10064	SNAP RING	1
32	21332	ENGAGEMENT	1
33	21333	THRST WASHER	1
34	10067	NUT M8	2
35	10068	WASHER 8	2
36	21336	BELLCRANK	2
37	10069	SNAP RING	2
38	21338	WASHER	2
39	21339	VENT TUBE	1
40	21340	VENT TUBE FITTING	1
41	21341	SHIFT FORK HIGH/REVERSE	1
42	10007	SCREW M4	8
43	10071	WASHER 4	8
44	21344	GEAR INDICATOR SWITCH	1
45	21345b	GEARCASE,RH (USE WITH SPEED SENSOR)	1
46	21201	SEAL 25X47X8	1
47	21475	DIPSTICK	1



48	10219	SCREW	1
49	10062	BEARING 6204C3	1
50	25109	GEAR HELICAL 51T	1
51	10073	SCREW M6X10	4
52	21351	BEARING RETAINER PLATE	1
53	21453	SNAP RING	1
54	10074	BEARING 6305ST	1
55	21455	PINION SHAFT 10T	1
56	21456	SHIFT FORK LOW	1
57	21457	GEAR INDICATOR SWITCH	1
58	10075	SNAP RING	2
59	21459	SHIFT ROD LOW	1
60	21460	SHIFT ROD HIGH/REVERSE	1
61	21461	THRUST WASHER	1
62	21462	GEAR	1
63	21463	SHAFT REAR OUTPUT	1
64	70354	SHAFT REAR OUTPUTA (USE WITH SPEED SENSOR) (NEW MODEL)	1
65	21464	THRUST BUTTON	1
66	21465	SHIM 1	1
67	21107	SHIM 2	1
68	21104	DOWEL PIN	1
69	21468	COVER	1
70	21469	DRAIN SCREW	1
71	21470	WASHER	1
72	21462	GEAR	1
73	10122	O RING 18X2.65	1
74	21477	SPROCKET	1
75	21480	SHAFT FRONT OUTPUT	1
76	21481	SPORCKET 12T	1
77	21482	CHAIN	1
78	10123	O RING 14X2.65	4
79	25511	COLLAR(NEW MODEL)	1
80	25512	O RING 50X1.5	1
81	25513	SPEED SENSOR COVER(NEW MODEL)	1
82	27068	SEAL30X40X5 (NEW MODEL)	1
83	10010	BOLT	3
84	10164	CLAMP 24(NEW MODEL)	1
85	21455	PINION SHAFT 10T	1

Fig 22

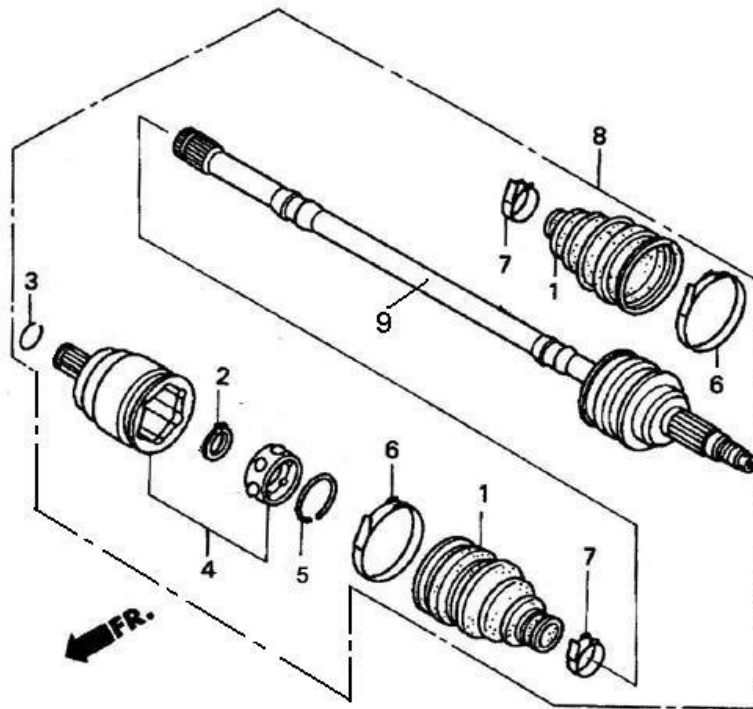
SUPPORT BRACKET



REF. No.	Part No.	DESCRIPTION	Q'TY
1	10076	BOLT M12X20	2
2	10054	WASHER 12	2
3	27292	TRANSMISSION MOUNTING BRACKET RIGHT	1
4	21504	TRANSMISSION MOUNTING BRACKET LEFT	1
5	10078	BOLT M8X30	3
6	10079	NUT M8	3
7	10028	BOLT M10X25	2
8	21508	TRANSMISSION MOUNTING BRACKET BOTTOM	1
9	10081	BOLT M8X20	3
10	10027	WASHER 10	2
11	10019	WASHER	2
12	10084	BOLTM10X1.25X70	1
13	10015	NUT M10	1
14	21514	TRANSMISSION MOUNTING BRACKET REAR	1
15	26282	TRANSMISSION ASSY (4WD、 FOR SPEED SENSOR)	1

Fig 23

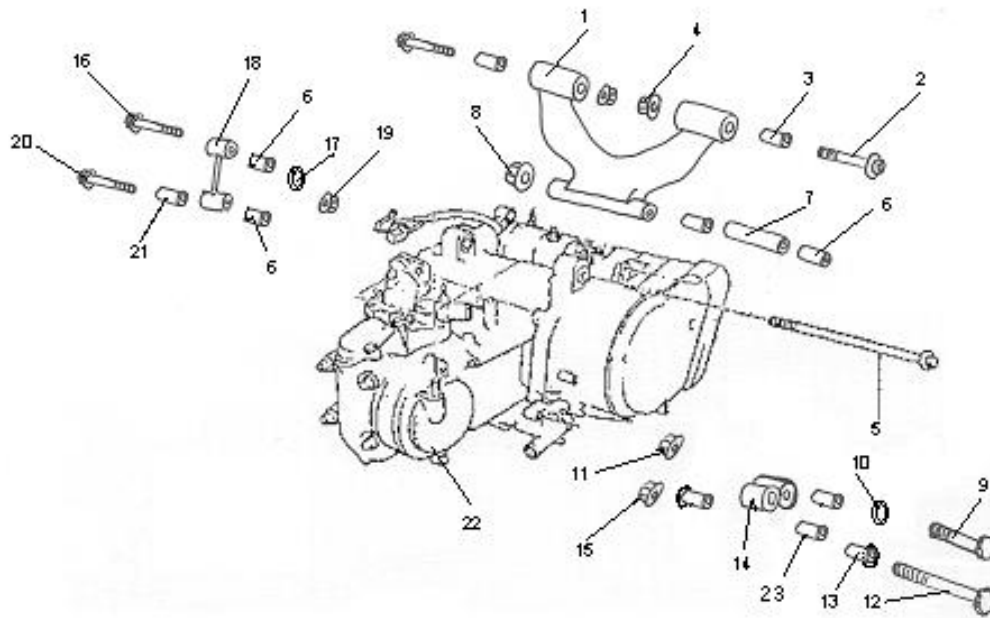
FRONT DRIVE AXLE (FOR 4WD)



REF. No.	Part No.	DESCRIPTION	Q'TY
1	24403	OUTER BOARD BOOT	4
2	24407	CIRCLIP 20	2
3	24405	ATOPPER RING	2
4	70961	JOINT, INBOARD (CONTAIN INBOARD AXLE STEEL BALL BRACKET STEEL BALL AND GEAR WHEEL)	2
5	24409	STOPPER RING	2
6	24404	BOOT BAND B	4
7	24402	BOOT BAND A	4
8	27111	FRONT DRIVE AXLE	2
9	27089	DRIVE AXLE/OUTER CV JOINT ASSEMBLY	2

Fig 24

ENGINE

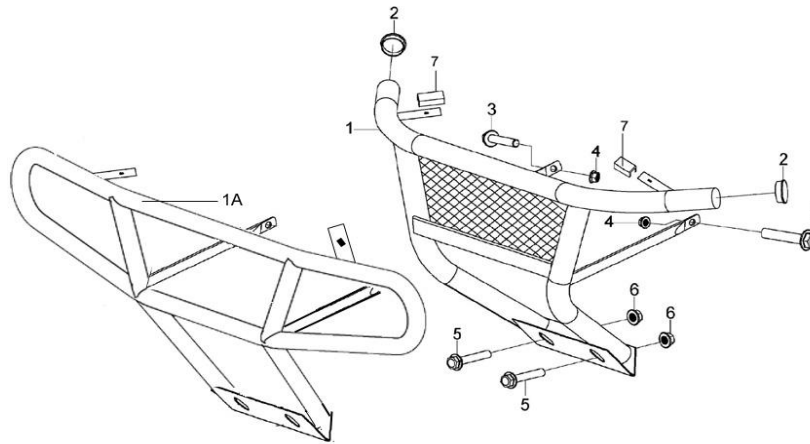


REF. No.	Part No.	DESCRIPTION	Q'TY
1	27291	FRONT ENGINE MOUNT BRACKET	1
2	24202	ENGINE BRACKET BOLT	2
3	24203	BUSHING ENGING BRACKET1	2
4	10136	NUT M12X1.25	2
5	24205	ENGINE MOUNTING BOLT	1
6	24206	BUSHING ENGING BRACKET2	4
7	27293	SPACER ENGINE BRACKET	1
8	10015	NUT M10X1.25	1
9	10016	BOLT M10X1.25X55	1
10	27295	WASHER	1
11	10015	NUT M10X1.25	1
12	10137	BOLT M8X120	1
13	24213	LEFT SPACER	2
14	24214	STAY ENGINE LEFT	1
15	10079	NUT M8	1
16	10138	BOLT M10X1.25X68	1
17	24217	WASHER	1
18	24218	STAY ENGINE RIGHT	1
19	10015	NUT M10X1.25	1

20	10139	BOLT M8X65	1
21	24221	RIGHT SPACER	2
22	27218	ENGINE ASSY	1
23	24223	BUSHING	2

Fig 25

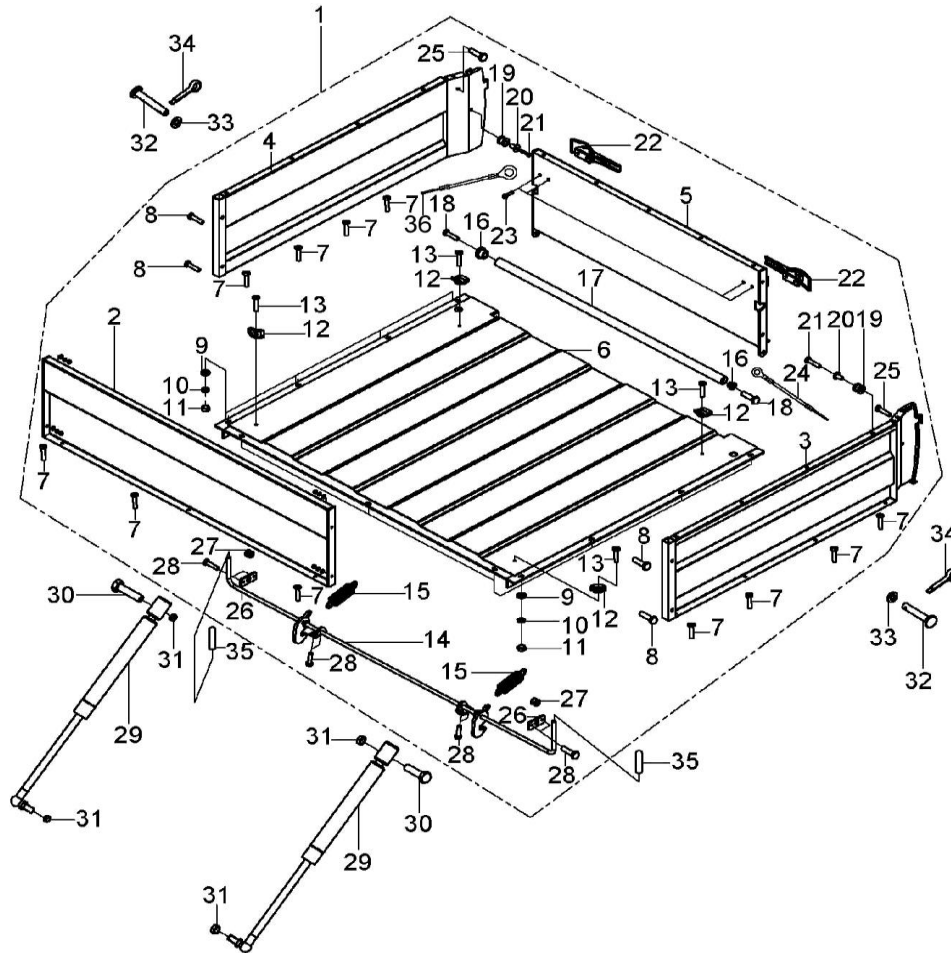
BUMPER



REF. No.	Part No.	DESCRIPTION	Q'TY
1	26762	BAR,CARRY FRONT (FOR A TYPE)	1
1A	26970	BAR,CARRY FRONT (FOR B TYPE)	1
2	26763	PLUG (ONLY FOR A TYPE)	2
3	10167	BOLT M10X40	2
4	10015	NUT M10	2
5	10081	BOLT M8X20	2
6	10079	NUT M8	2
7	26764	RUBBER CUSHION	2

Fig 26

BOX ASSY.



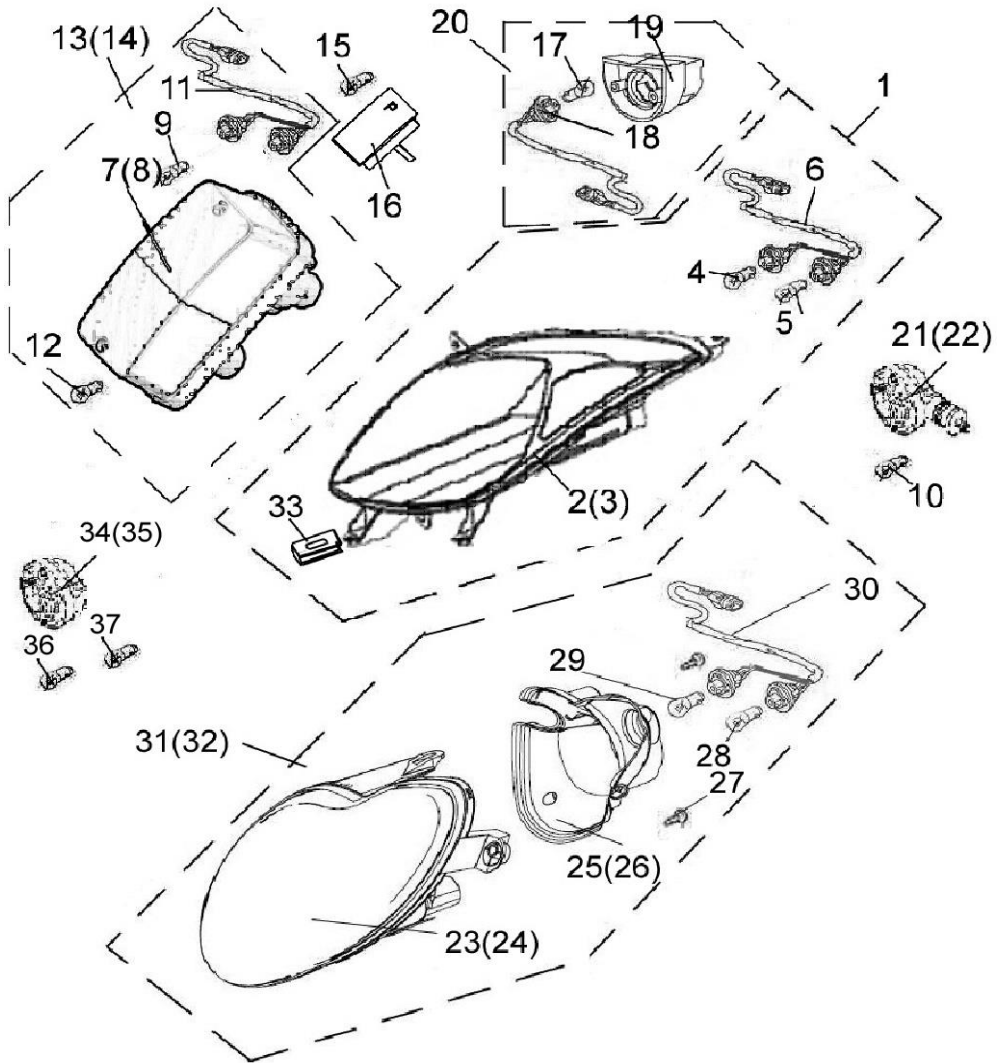
REF. No.	Part No.	DESCRIPTION	Q'TY
1	26971	CARRIER BOX ASSY	1
2	26972	BOX COVER,FR	1
3	26973	BOX COVER,L	1
4	26974	BOX COVER,R	1
5	26975	BOX COVER,RR	1
6	26976	BOX FLOOR COVER	1
7	10272	BOLT M6X16	11
8	26254	BOLT M6X40	4
9	10006	WASHER 6	15
10	10308	WASHER SPRING 6	15
11	10090	NUT M6	15

12	26774	HOOK	4
13	10183	BOLT M6X16	4
14	26775	LATCH ASSY	1
15	26778	SPRING	2
16	26779	COLLAR	2
17	26977	AXLE COLLAR	1
18	26252	BOLT M10×35	2
19	26780	RUBBER SHEATH	2
20	26781	RING, LOCATION	2
21	10182	BOLT M6X30	2
22	26767	LATCH	2
23	10161	BOLT M6X65	4
24	26768	HOLDER CABLE, L	1
25	10183	BOLT M6X16	2
26	26782	HOLDER, LATCH	2
27	26783	RUBBER SHEATH	2
28	10183	BOLT M6X16	8
29	26784	DAMPER	2
30	10124	BOLT M8×35	2
31	10079	NUT M8	4
32	26785	PIN AXLE	2
33	10032	WASHER 12	2
34	26266	PIN 4X20	2
35	26786	CAP, PROTECTOR END	2
36	26769	HOLDER CABLE, R	1



Fig 27.1

LAMP ASSY.

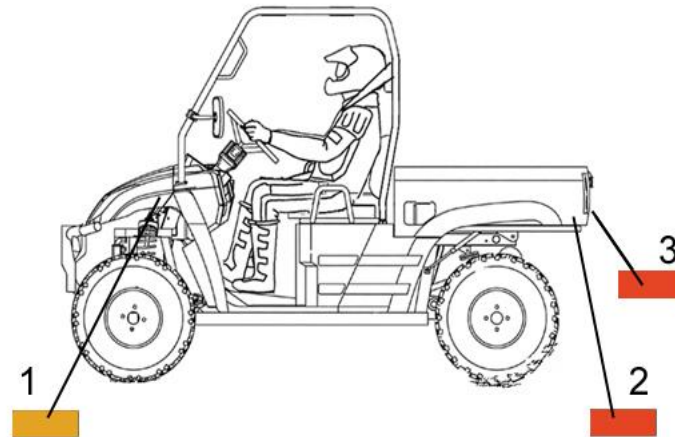


REF. No.	Part No.	DESCRIPTION	Q'TY
1	22353	HEADLIGHT ASSY, L (FOR A TYPE)	1
1A	22314	HEADLIGHT ASSY, R (FOR A TYPE)	1
2	26286	HEADLIGHT ,L	1
3	26285	HEADLIGHT,R	1
4	22371	BULB,HEADLIGHT HS SHAPE	2
5	32046	BULB,POSITION LIGHT	2
6	26287	SOCKET,HEADLIGHT	1
7	26800	TAILLIGHT ,L	1
8	26803	TAILLIGHT ,R	1

9	25058	BULB 12V 21W/5W, TAILLIGHT	1
10	32045	BULB 12V 10W, FRONT TURN INDICATE LIGHT (YELLOW)	1
11	26801	SOCKET,TAILLIGHT	1
12	25091	BULB 12V 10W, REAR TURN INDICATE LIGHT (WHITE)	1
13	26799	TAILLIGHT ASSY,L	1
14	26802	TAILLIGHT ASSY,R	1
15	32046	BULB 12V 5W	1
16	26808	PARKING BRAKE INDICATOR LAMP	1
17	32046	BULB 12V 5W	1
18	26807	SOCKET,LICENSE LIGHT	1
19	26806	LENS,LICENSE LIGHT	1
20	26805	LICENSE LIGHT ASSY	1
21		FRONT INDICATOR LIGHT R (ONLY FOR EUROPE)	1
22		FRONT INDICATOR LIGHT L (ONLY FOR EUROPE)	1
23	70433	LENS,HEADLIGHT UNIT,L	1
24	70437	LENS,HEADLIGHT UNIT,R	1
25	70438	COVER,L.HEADLIGHT	1
26	70439	COVER,R.HEADLIGHT	1
27	70440	BOLT	4
28	22371	BULB 12V 35W/35W HS	2
29	32046	BULB 12V 5W	2
30	70441	SOCKET,HEADLIGHT	2
31	70442	HEADLIGHT UNIT,L (FOR B TYPE)	1
32	70434	HEADLIGHT UNIT,R (FOR B TYPE)	1
33	26813	HEADLIGHT CLIP (FOR A TYPE)	6
34	27041	REAR INDICATOR LIGHT (YELLOW) (FOR OLD BOX)	2
35	27042	REAR LIGHT (RED) (FOR OLD BOX)	2
36	25091	BULB , REAR INDICATOR LIGHT	2
37	25058	BULB , REAR LIGHT	2

Fig 27.2

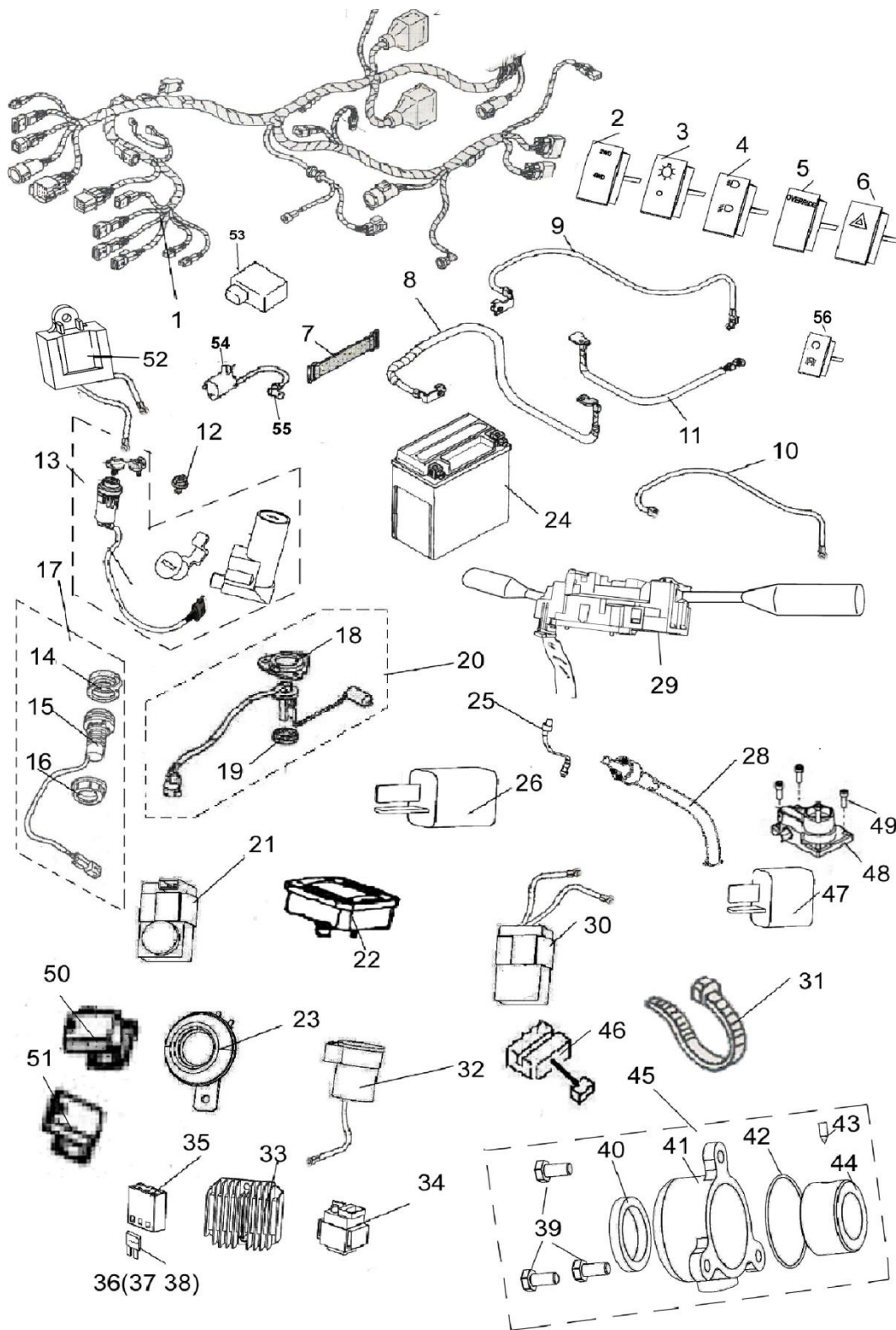
# REFLECTION



REF. No.	Part No.	DESCRIPTION	Q'TY
1	26814	FRONT REFLECTOR YELLOW (FOR US)	2
2	26815	REAR REFLECTOR RED (FOR US)	2
3	27076	REAR REFLECTOR RED (FOR EUROPE)	2

Fig 27.3

# ELECTRICAL SYSTEM



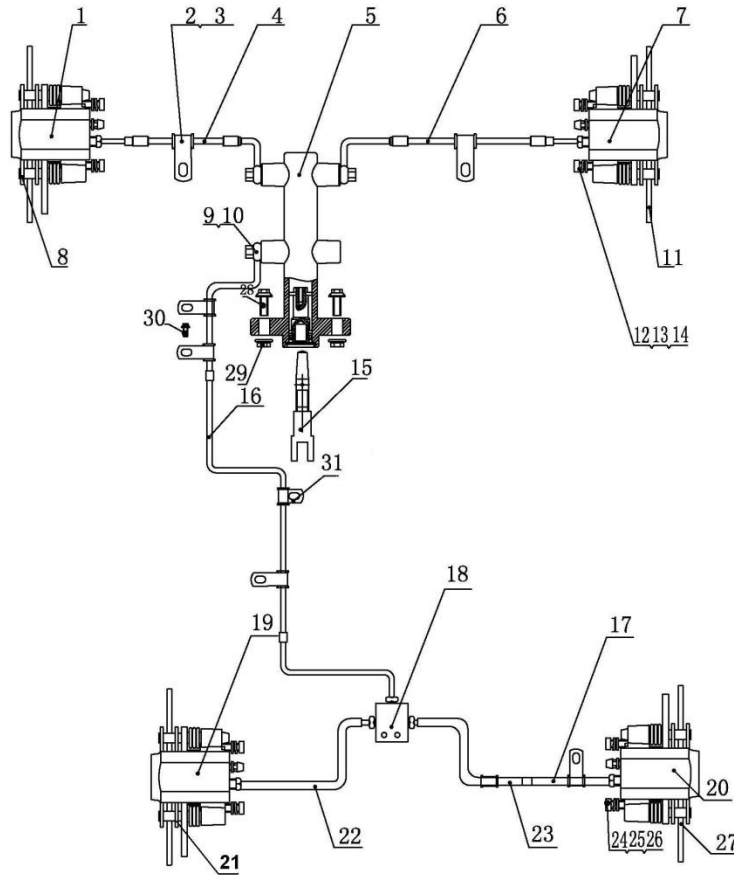
REF. No.	Part No.	DESCRIPTION	Q'TY
1	26787	WIRING HARNESS (FOR EUROPE)	1
1A	26798	WIRING HARNESS (FOR US)	1

2	26809	SWITCH “2WD”/“4WD”	1
3	27083	LIGHT SWITCH (ONLY FOR US)	1
4	27082	HI/ LO BEAM SWITCH (ONLY FOR US)	1
5	26796	OVERRIDE SWITCH	1
6	26804	HAZARD LIGHT SWITCH	1
7	27084	BATTERY BELT	1
8	26788	STARTER WIRE 1	1
9	26789	STARTER WIRE 2	1
10	26790	STARTER WIRE 3	1
11	26794	SENSOR CABLE	1
12	26793	KEY BLANK	1
13	26792	LOCK ASSY	1
14	70401	CAP	1
15	70402	SOCKET,ACCESSORY	1
16	70403	NUT	1
17	70400	ACCESSORY SOCKET ASSY	1
18	26812	FUEL SENSOR FIXBOAD	1
19	26811	FUEL SENSOR OIL-SEAL	1
20	26810	FUEL SENSOR	1
21	32038	REVERSE GEAR WARNING	1
22	70408	LCD METER (FOR EUROPE)	1
22A	26993	LCD METER (FOR US)	1
23	70404	HORN (ONLY FOR EUROPE)	1
24	70407	BATTERY (MTX14-BS)	1
25	32020b	SPEED SENSOR	1
26	32021	CAPCITOR (ONLY FOR EUROPE)	1
27	-----	-----	---
28	70405	BRAKE SWITCH	2
29	26791	CONTROL SWITCH BAR (ONLY FOR EUROPE)	
30	22002a	REVERSE SPEED LIMITER	1
31	25530	TIE	20
32	32028	FLASHER RELAY ASSY	1
33	22007	REGULATOR RECTIFIER	1
34	22004	STARTER RELAY	1
35	70392	AMP FUSE BOX	1
36	27025	7.5 AMP FUSE	1
37	27026	10 AMP FUSE	1
38	27027	15 AMP FUSE	1

39	10010	BOLT	3
40	25529	SEAL	1
41	25513	SPEED SENSOR COVER	1
42	25512	O RING 50X1.5	1
43	25507	SCREW	1
44	25511	COLLAR	1
45	21484	SPEED SENSOR	1
46	32044	RESISTANCE	1
47	26272	PROTECTOR	1
48	24446	2WD/4WD SHIFT MOTOR	1
49	10183	BOLT M6X16	4
50	21344	GEAR INDICATOR SWITCH	1
51	21457	GEAR INDICATOR SWITCH	1
52	70422	PROTECTOR, SHIFT MOTOR	1
53	27340	CDI	1
54	22012	IGNITON COIL AND WIRE	1
55	42503	CAP, IGNITON COIL	1

Fig 28

BRAKING SYSTEM



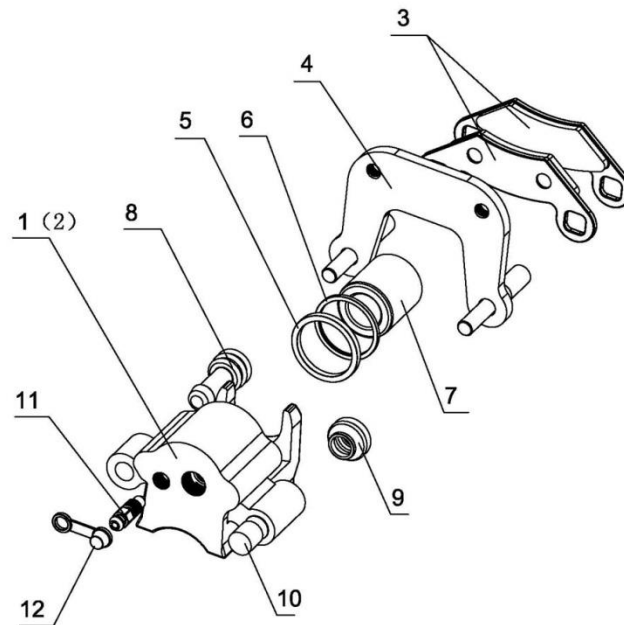
REF. No.	Part No.	DESCRIPTION	Q'TY
1	26822	BRAKE CALIPER , FR, L	1
2	21811	CLAMP	4
3	32105	RUBBER TUBE 1, FR	4
4	26840	FRONT BRAKE HOSE 1	2
5	26841	MASTER BRAKE CYLINDER	1
6	26857	RUBBER TUBE 2, FR	1
7	26858	BRAKE CALIPER , FR, R	1
8	26823	INSIDE/OUTSIDE PAD, FR	4
9	70550	OIL BOLT	3
10	70553		6



11	27087	DISC BRAKE, FR	2
12	10105	BOLT M8X25	4
13	10106	WASHER SPRING	4
14	10068	WASHER	4
15	26860	PUSH ROD	1
16	27114	RUBBER TUBE , RR	1
17	27115	RUBBER TUBE 1, RR	1
18	32107	BRAKE LINE COUPLER	1
19	26863	BRAKE CALIPER , RR, L	1
20	26827	BRAKE CALIPER , RR, R	1
21	26864	INSIDE/OUTSIDE PAD, RR	4
22	27116	RUBBER TUBE 2, RR	1
23	27117	RUBBER TUBE 3, RR	1
24	10105	BOLT M8X25	4
25	10106	WASHER SPRING 8	4
26	10068	WASHER	4
27	26871	DISC BRAKE, RR	2
28	27028	BOLT, MASTER BRAKE CYLINDER	2
29	10079	NUT M8	2
30	10140	BOLT M6X12	4
31	27118	CLAMP2	1

Fig 29

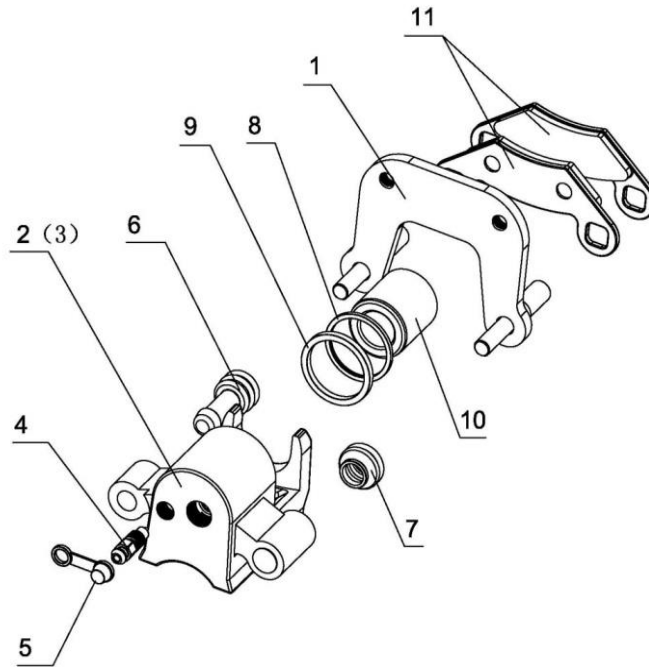
BRAKE CALIPER, FR



REF. No.	Part No.	DESCRIPTION	Q'TY
1	26830	CALIPER SHELL , L	1
2	26859	CALIPER SHELL , R	1
3	26823	INSIDE/OUTSIDE PAD, FR	4
4	26824	BRACKET	1
5	26832	DUSTPROOF COVER 1	1
6	26833	CALIPER SEAL	1
7	26834	PISTON	1
8	26835	GUIDE SHIFT	1
9	26836	DUSTPROOF COVER	1
10	26837	PLUG,CALIPER	1
11	26838	BLOWHOLE	1
12	26839	DUSTPROOF COVER 2	1

Fig 30

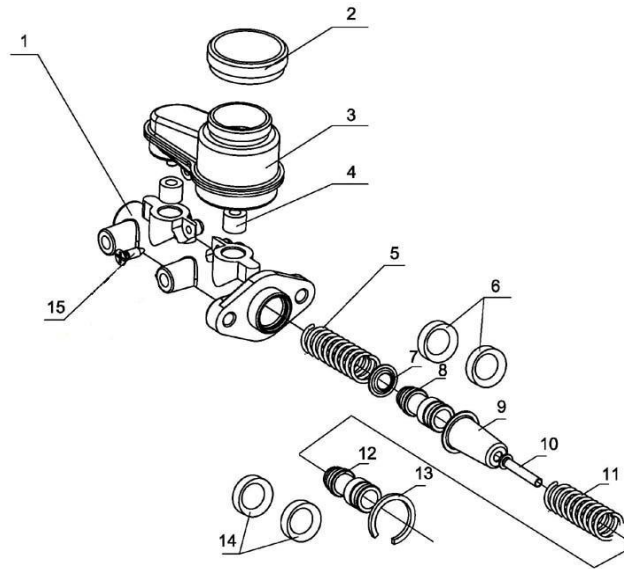
BRAKE CALIPER, RR



REF. No.	Part No.	DESCRIPTION	Q'TY
1	27003	BRACKET	
2	26865	CALIPER SHELL , L	
3	26828	CALIPER SHELL , R	
4	26838	BLOWHOLE	
5	26839	DUSTPROOF COVER 2	
6	26866	GUIDE SHIFT	
7	26867	DUSTPROOF COVER	
8	26868	SEAL	
9	27029	DUSTPROOF COVER 1	
10	27030	PISTON	
11	26864	INSIDE/OUTSIDE PAD, RR	4

Fig 31

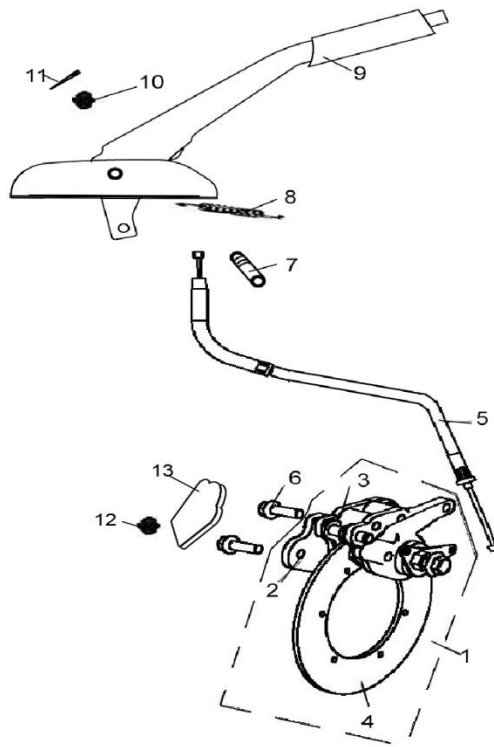
# MASTER BRAKE CYLINDER



REF. No.	Part No.	DESCRIPTION	Q'TY
1	26842	CALIPER SHELL	1
2	26849	CAP	1
3	26850	RESERVOIR	1
4	26851	SEAL	2
5	26852	SPRING	1
6	26853	RUBBER RING 1	3
7	26854	RING 1	1
8	26855	RING 2	1
9	26856	SPRING HOLDER	1
10	26843	BOLT	1
11	26844	SPRING	1
12	26845	PISTON	1
13	26846	CLIP	1
14	26847	RUBBER RING 2	1
15	26848	BOLT	1

Fig 32

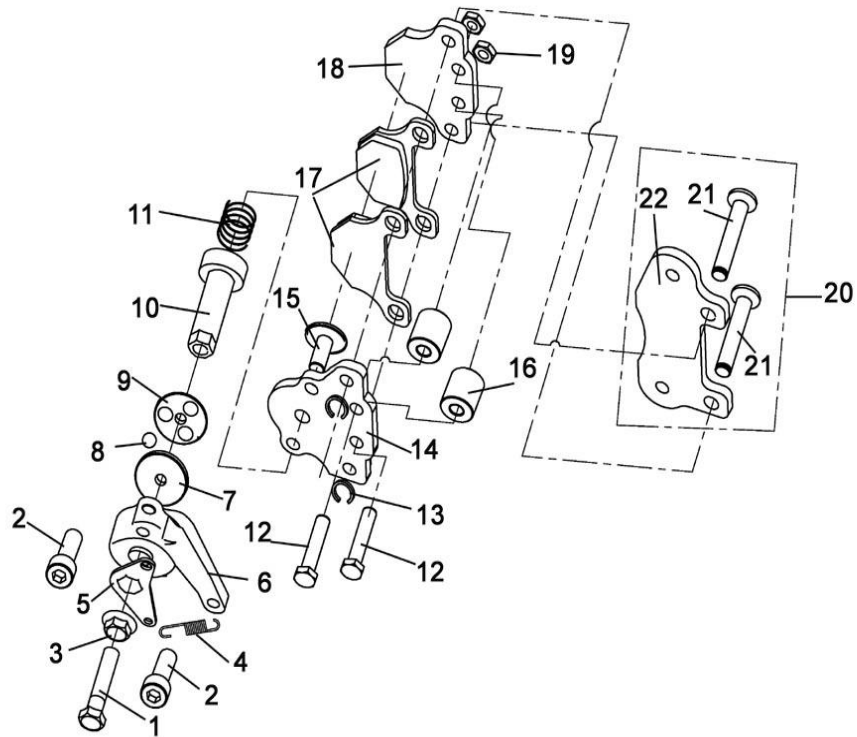
HAND BRAKE



REF. No.	Part No.	DESCRIPTION	Q'TY
1	26872	BRAKE CALIPER ASSY	1
2	26873	BRAKE CALIPER	1
3	26291	BRAKE PAD	2
4	27120	DISC BRAKE	1
5	27119	BRAKE CABLE	1
6	10218	BOLT M8X40	2
7	26884	AXLE	1
8	26885	SPRING	1
9	26883	BRAKE LEVER	1
10	10079	NUT M8	1
11	10094	PIN	1
12	26886	BOLT, DISC BRAKE	5
13	27121	TRANSITION BOARD	1

Fig 33

# HAND BRAKE CALIPER

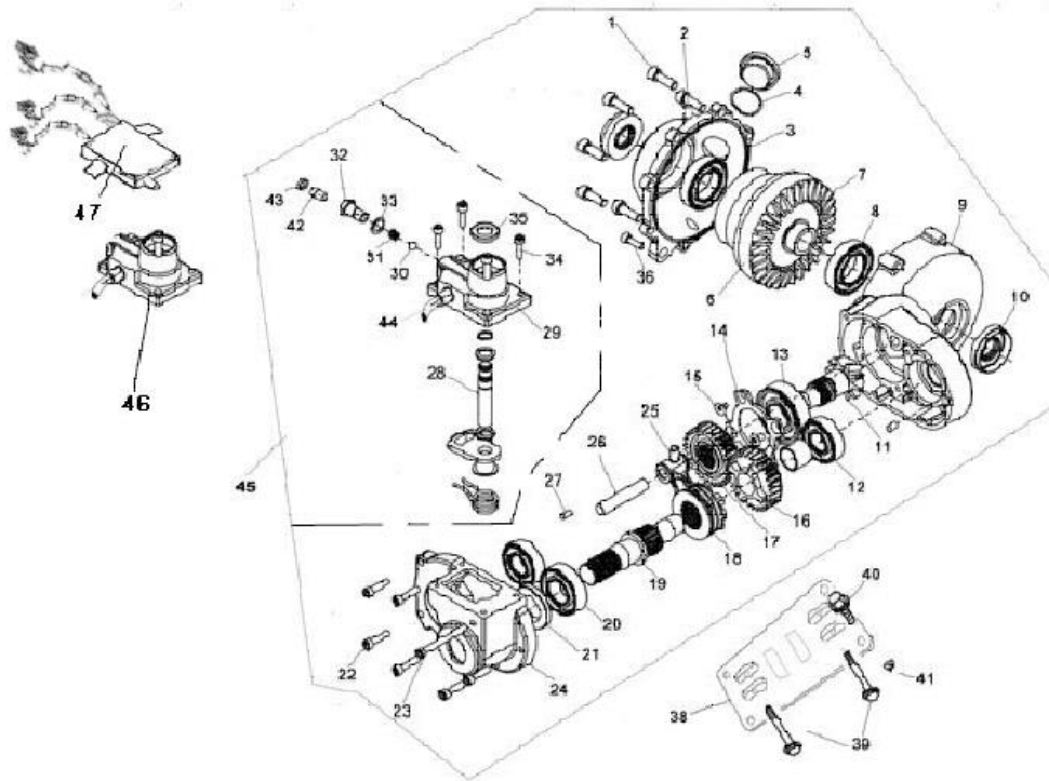


REF. No.	Part No.	DESCRIPTION	Q'TY
1	26293	BOLT	1
2	10276	BOLT M8X25	2
3	10080	NUT	1
4	26297	SPRING	1
5	26877	ROCKER	1
6	26878	BRAKE CALIPER SHELL	1
7	26296	UP RING	1
8	10203	BALL	3
9	621767	DOWN RING	1
10	26295	MIDDLE STAFF	1
11	26298	SPRING	1
12	26271	BOLT M8X40	2
13	27032	CLIP	2
14	26294	UP BRACKET	1
15	26879	STAFF	1
16	26880	COLLAR	2

17	26291	BRAKE PAD	2
18	26294a	BRACKET	1
19	26238	NUT	2
20	26874	GUIDE STAFF ASSY	1
21	26875	GUIDE STAFF	2
22	26876	ORIENTATION BRACKET	1

Fig 34

FRONT GEAR-BOX (FOR 4WD)



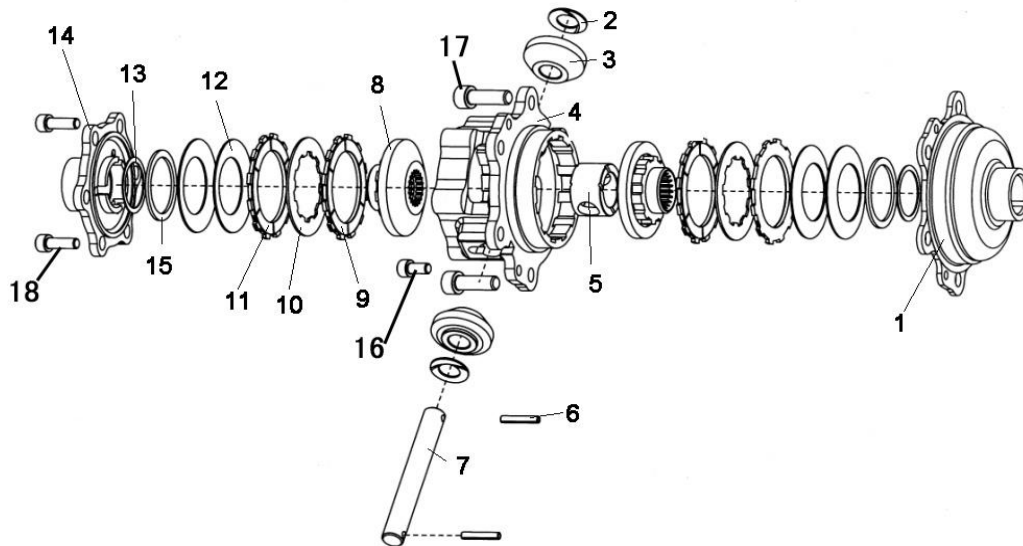
REF. No.	Part No.	DESCRIPTION	Q'TY
1	10059	BOLT M8X25	7
2	21112	VENT FITTING	1
3	24303	LEFT COVER	1
4	10122	O-RING 18X2.65	1
5	24305	DIFF FILLERPLUG	1
6	24306	FOC BODY	1
7	24307	BEVEL CROWNWHEEL	1
8	10202	BEAR 6006	2
9	24309	DIFFCASE RHS	1
10	24310	SEAL SDD722X48X11	2
11	24311	CONICAL WITH HELICAL GEARING	1
12	10062	BEAR 6204	2
13	10074	BEAR 6305ST	1



14	24314	CASEBEAR RETAINER	1
15	10287	SCREW M6X12	4
16	24316	DIFF GEAR	1
17	24317	DIFF GEAR DRIVEN	1
18	24318	SPLINED DOG	1
19	24319	DIFF INPUTSHAFT A	1
20	10061	BEAR 6205	1
21	24321	SEAL TC25X47X7	1
22	10182	BOLE M6X30	6
23	10160	BOLE M6X70	1
24	24324	REAR COVER	1
25	24325	DIFF SELECTOR FORK	1
26	24326	SELECTOR RAIL	1
27	24327	PIN	1
28	24328	SELECTOR SHAFT	1
29	24429	SELECTOR COVER	1
30	10203	STEEL BALL 8	1
31	24431	SPRING	1
32	24433	INDENT BALL INSERT	1
33	24432	WASHER	1
34	10183	BOLT M6X16	4
35	24435	SEAL TC12X28X7	1
36	10168	BOLT M8X16	1
37	22325F	FRONT GEAR-BOX BACKSTOP	1
38	10208	BOLT M10X1.25X43	2
39	10163	BOLT M10X1.25X20	4
40	10015	NUT M10	6
41	10355	BOLT M8X1X16	1
42	10356	NUT M8X1	1
43	24444	4WD AND 2WD SWITCH	1
44	24445	FRONT GEAR-BOX	1
45	24446	2WD/4WD SHIFT MOTOR(USED WITH 2WD / 4WD SWITCHPN20109b)	1
46	24447A	2WD/4WD SHIFT ELECTRONIC CONTROLLER(USED WITH 2WD / 4WD SWITCHPN20109b)	1

Fig 35

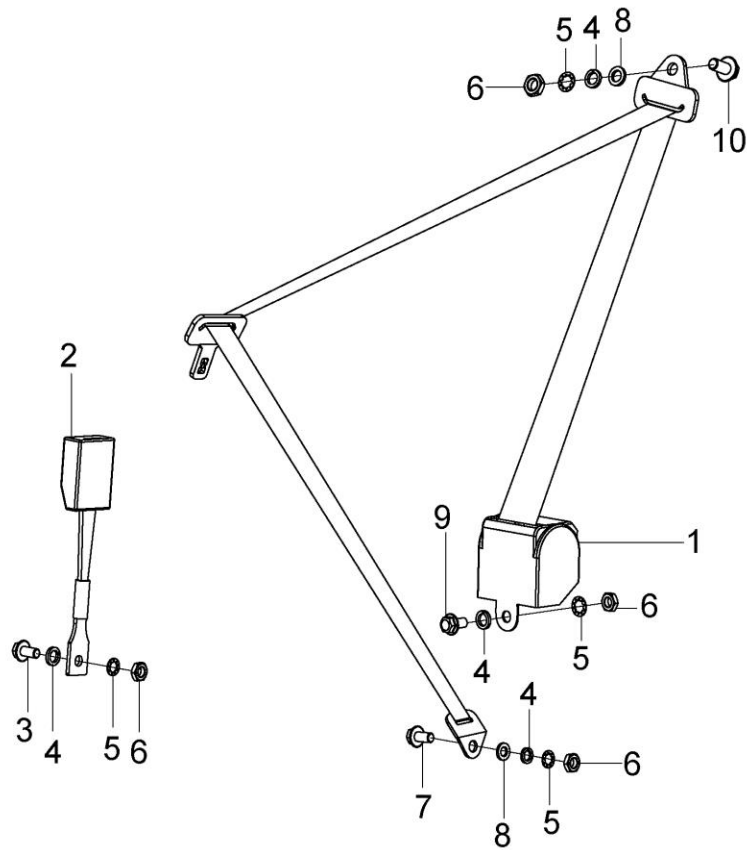
FOC BODY (FOR 4WD)



REF. No.	Part No.	DESCRIPTION	Q'TY
1	24701	LARGER COVER	1
2	24702	WASHER	2
3	24703	PINION	2
4	24704	HOUSING	1
5	24705	CENTER SPACER	1
6	10003	ROLL PIN	2
7	24707	CENTER PIN	2
8	24708	BEVEL GEAR	2
9	24709	CLUTCH PLATE OUTER DOUBLE	2
10	24710	CLITCH PLATE INNER	2
11	24711	CLUTCH PLATE OUTER SINGLE	2
12	24712	DISHED SPRING	4
13	24713	WASHER	2
14	24714	SMALL COVER	1
15	24715	SPING SEAT	2
16	10083	SCREW M6X15	2
17	10131	SCREW M8X16	6
18	24718	BOLT M8X15	6

Fig 36

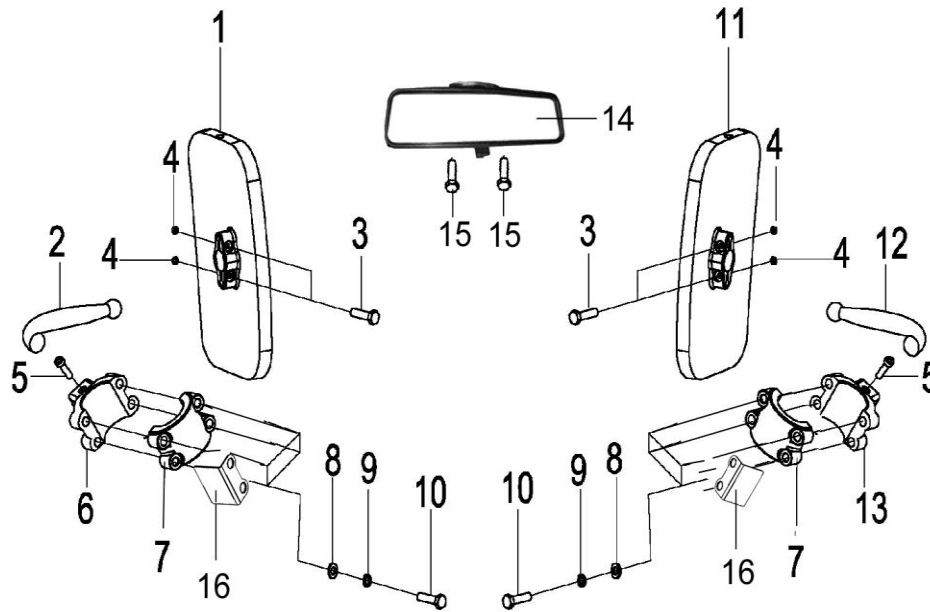
SEAT BELT ASSY.



REF. No.	Part No.	DESCRIPTION	Q'TY
1	26914	BELT	2
2	26915	BELT 2	2
3	26916	BOLT	2
4	26917	SPRING WASHER	8
5	26918	WASHER	8
6	26919	NUT	8
7	26920	BOLT A	2
8	26921	WASHER	4
9	26922	BOLT	2
10	26923	BOLT B	2

Fig 37

REAR VIEW MIRROR ASSY

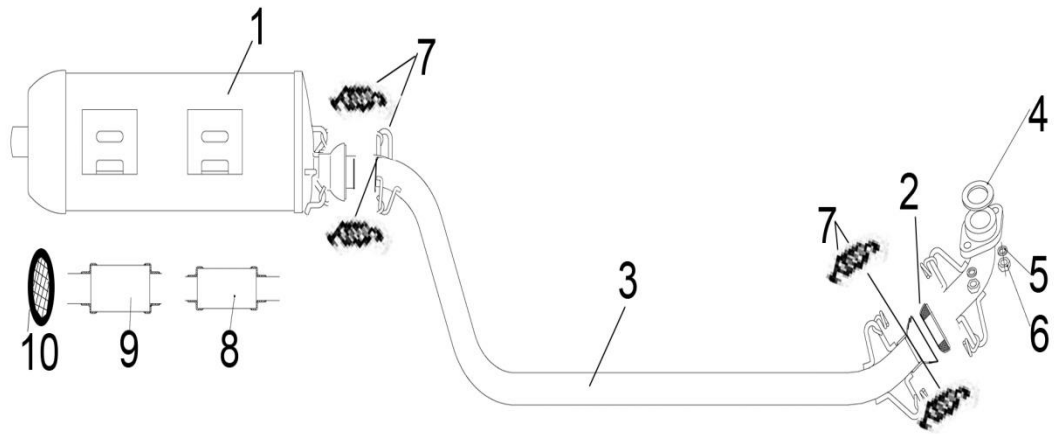


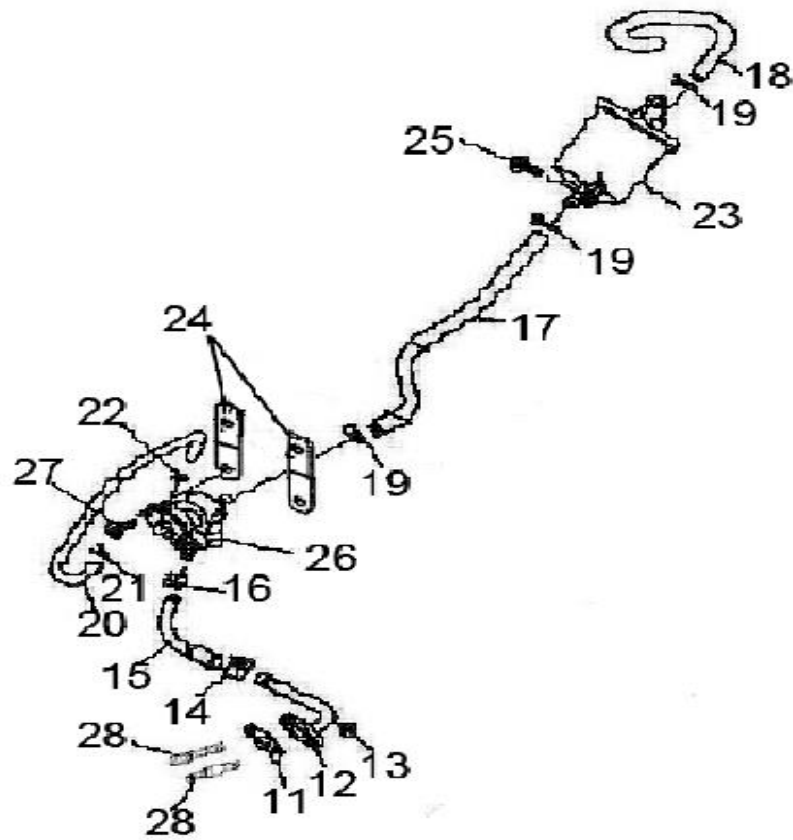
REF. No.	Part No.	DESCRIPTION	Q'TY
1	26887	REAR VIEW MIRROR,R	1
2	26891	BALL JOINT,R	1
3	26892	BOLT	4
4	26893	NUT	4
5	26894	BOLT	2
6	26895	MIRROR HOLDER,R	1
7	26896	MIRROR HOLDER 2	2
8	10006	WASHER 6	8
9	10308	WASHER SPRING 6	8
10	26253	BOLT M6X25	8
11	26888	REAR VIEW MIRROR,L	1
12	26897	BALL JOINT,L	1
13	26898	MIRROR HOLDER,L	1
14	26890	INTERIOR MIRROR	1
15	26262	BOLT	2
16	26889	BUMPER	2



Fig 38

# EXHAUST





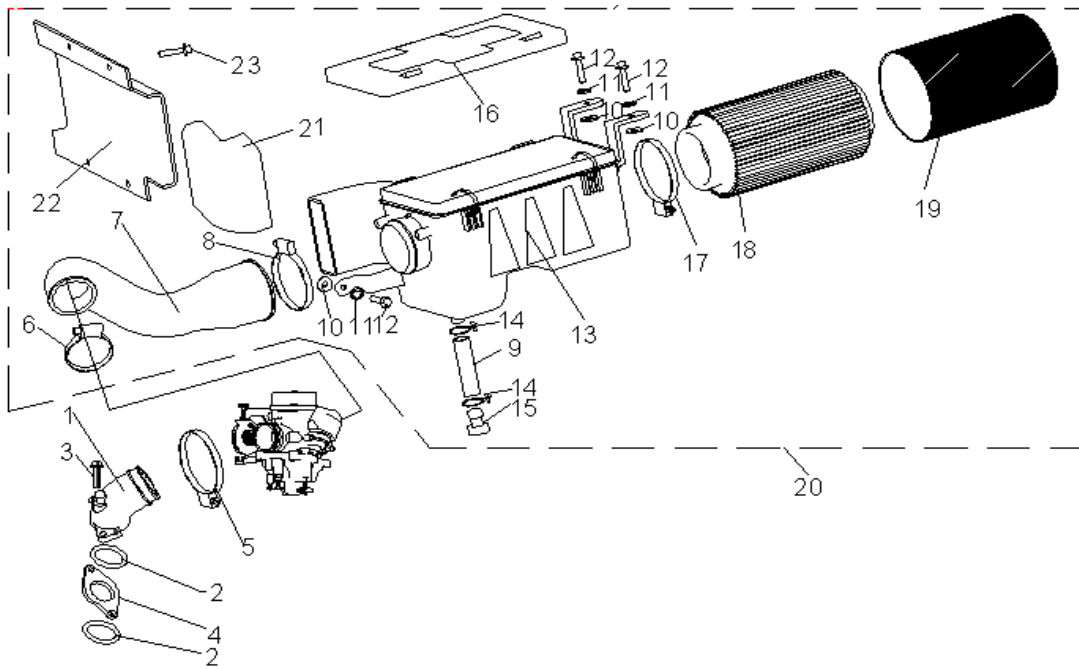
REF. No.	Part No.	DESCRIPTION	Q'TY
1	27107	MUFFLER	1
2	25222	JOINT	2
3	27108	EXHAUST PIPE	1
4	23403	EXHAUST PIPE GASKET	1
5	10106	WASHER 8	2
6	10099	NUT M8	2
7	23408	SPRING	5
8	27109	ACCELERANT $\phi$ 3 5 X 1 0 0	1
9	27110	ACCELERANT $\phi$ 42 X 1 0 0	1
10	27078	SAFETY	1
11	43510	WASHER	1
12	27155	HOSE	1

13	10004	NUT M6	2
14	43513	CLIP 16	1
15	43512	HOSE C	1
16	22424	CLIP 13	1
17	43525	HOSE B	1
18	43518	HOSE A	1
19	43519	HOSE CLAMP 16	3
20	43520	PIPE	1
21	43521	CLIP 9	1
22	43522	CLIP 7.6	1
23	43523	FILTER	1
24	27075	VALVE BRACKET	2
25	10140	BOLT M6X12	2
26	33230	VALVE	1
27	10110	BOLT M6X20	2
28	10263	BOLT	2



Fig 39

AIR CLEANER

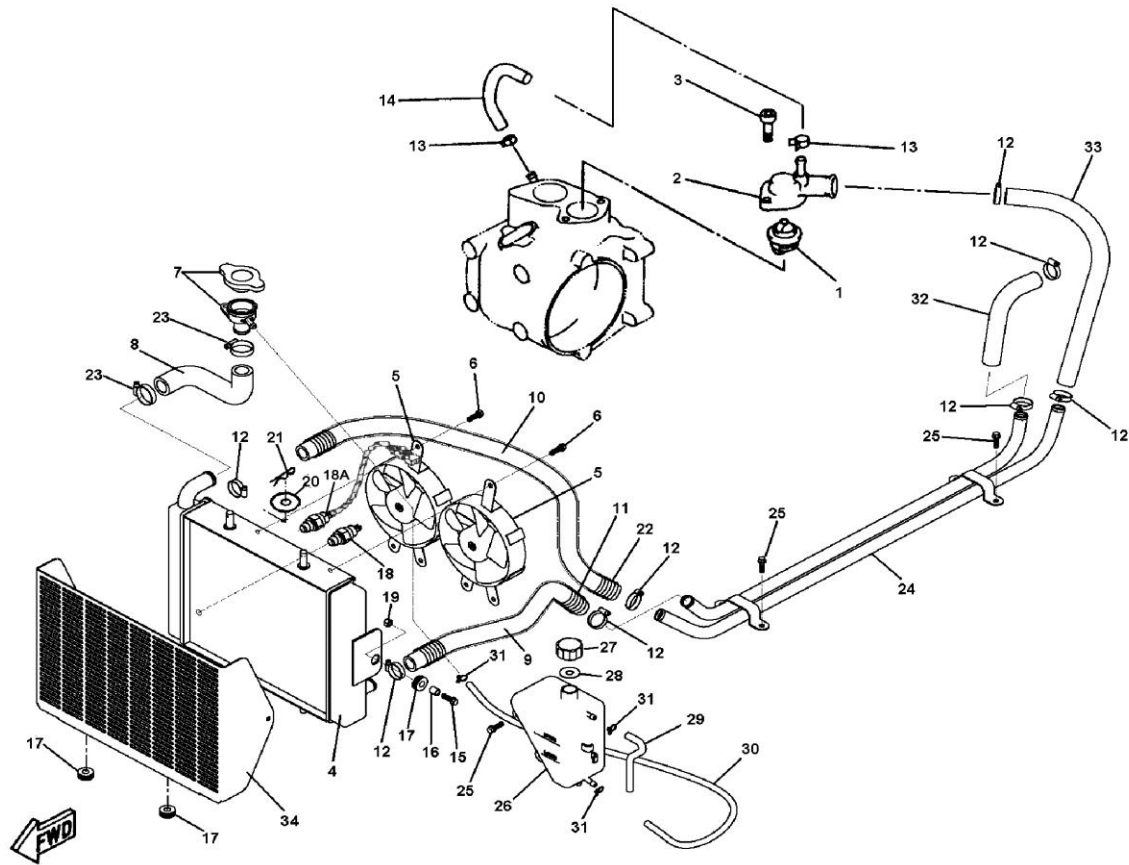


REF. No.	Part No.	DESCRIPTION	Q'TY
1	27164	CONNECTING BEND (FOR USA)	1
	27165	CONNECTING BEND (FOR EUROPE)	1
2	23202	O-RING 35X2	2
3	10085	SCOKET HEAD BOLT M6X25	2
4	23204	JOINT	1
5	23205	HOSE CLAMP D	1
6	26740	HOSE CLAMP C	1
7	27219	AIR CLEANER JOINT (FOR USA)	1
	27220	AIR CLEANER JOINT (FOR EUROPE)	
8	26739	HOSE CLAMP B	1
9	26744	HOSE	1
10	10011	WASHER 6	3
11	10308	WASHER 6	3
12	10182	BOLT M6X30	3
13	26742	AIR CLEANER CASE1	1
14	23214	CLIP	2
15	23216	PLUG	1
16	26741	COVER AIR CLEANER	1
17	23209	HOSE CLAMP A	1

18	23212	ELEMENT COMP AIR CLEANER	1
19	23213	FILTER COVER	1
20	26737	AIR CLEANER	1
21	26746	JOINT HOSE	
22	26747	DUSTPROOF COVER	

Fig 40

RADIATOR

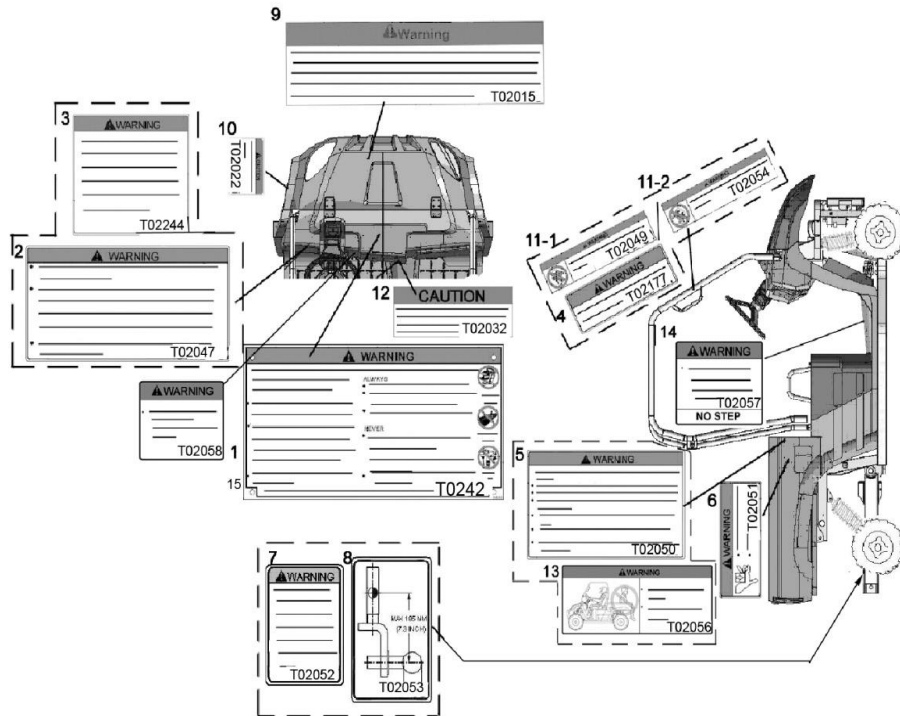


REF. No.	Part No.	DESCRIPTION	Q'TY
1	22901	THERMOSTAT	1
	22901A	THERMOSTAT(ONLY FOR ITALY)	1
2	22902	THERMOSTAT COVER	1
3	10085	SOCKET HEAD BOLT M6X25	2
4	26751	RADIATOR ASSY (THICKER)	1
5	26235	BLOWER ASSY	2
	26235A	BLOWER ASSY (USED FOR WATERPROOF PLUG UNIT)	2
6	10087	FLANGE BOLT M6X9	6
7	22907a	SAFETY VALVE	1
8	22909t	RADIATOR FILLER HOSE	1
9	22910t	RETURN HOSE	1
10	22911	FEED HOSE	1
11	22912	SPRING CIMPRESSON	1

12	26299	CLAMP 16/27	8
13	22914	HOSE CLAMP2	2
14	27154	HOSE1	1
15	10110	BOLT M6X20	2
16	22917	RADIATOR SIDE SUPT GROMMET	2
17	22918	COLLAR	2
18	22919	THERMOSTAT SWITCH ASSY	1
18A	22919A	THERMOSTAT SWITCH ASSYUSED FOR WATERPROOF PLUG UNIT	1
19	10004	NUT M6	2
20	10019	WASHER PLATE 10	2
21	10094	CLIP 2X20	2
22	22912A	COMPRESSION SPRING	2
23	70344	CLAMP 20/32	2
24	26750	BRACKET	1
25	10140	BOLT M6X12	2
26	70340	TANK RECOVERY	1
27	70338	COVER,TANK RECOVERY	1
28	70339	WASHER,TANK RECOVERY	1
29	70342	PIPE,TANK RECOVERY	1
30	70341	PIPE	1
31	22924	CLAMP	1
32	26755	FEED HOSE, VALVE	1
33	26756	RETURN HOSE, CYLINDER	1
34	26757	FENDER	

Fig 41

LABELS



REF. No.	Part No.	DESCRIPTION	Q'TY
1	27140	LABEL242	1
2	27141	LABEL243	1
3	27144	LABEL47	1
4	27142	LABEL244	1
5	27138	LABEL 177	1
6	27146	LABEL 50	1
7	27147	LABEL 51	2
8	27148	LABEL 52	1
9	27149	LABEL 53	1
10	70941	LABEL,15	1
11-1	27139	LABEL,22	1
11-2	27145	LABEL49	2
12	27150	LABEL54	1
13	27143	LABEL 32	1
14	27151	LABEL56	1
15	27152	LABEL 57	1

